



## 900 SERIES | GENERAL PURPOSE VALVE



3/8" NPT port option shown



3/4" NPT port option shown



### GENERAL INFORMATION

#### Valve Highlights

- 3/8", 1/2" and 3/4" NPT ports
- Normally open and normally closed options available
- Solenoid piloted diaphragm valve

#### Component Material Combinations

- Brass base nut is standard
- Stainless steel nut is optional
- Copper shading ring in AC units
- Internal components are stainless steel

#### Connection Types

- 1/4" spade
- Lead wires
- 1/2" conduit male
- 1/2" conduit female
- Strain Relief DIN 43650 Form-B

#### Electrical Characteristics

- Standard coil class: A (221°F/105°C)
- Power consumption: 5 watts AC, 6 watts DC
- DC voltages: 12, or 24
- AC voltages: 12, 24, 120, or 240

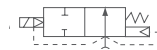
#### Operating Characteristics

- Operating temperature range: Up to 120°F/49°C
- Operating pressure: 10 – 150 PSI
- Zero pressure rated valves available. Consult factory.
- Max fluid temperature: 180°F/82°C
- 3/8" port max flow: 30 GPM at 150 PSI
- 1/2" port max flow: 36 GPM at 150 PSI
- 3/4" port max flow: 36 GPM at 150 PSI

### MODES OF OPERATION



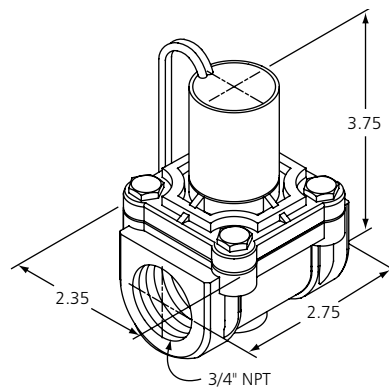
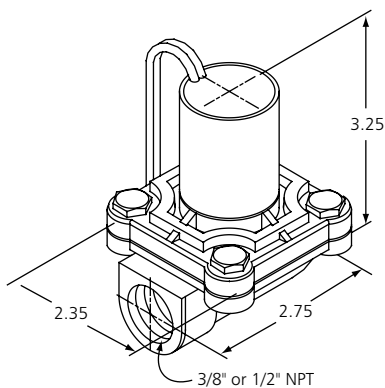
2/2 Normally Closed Solenoid Pilot Operating



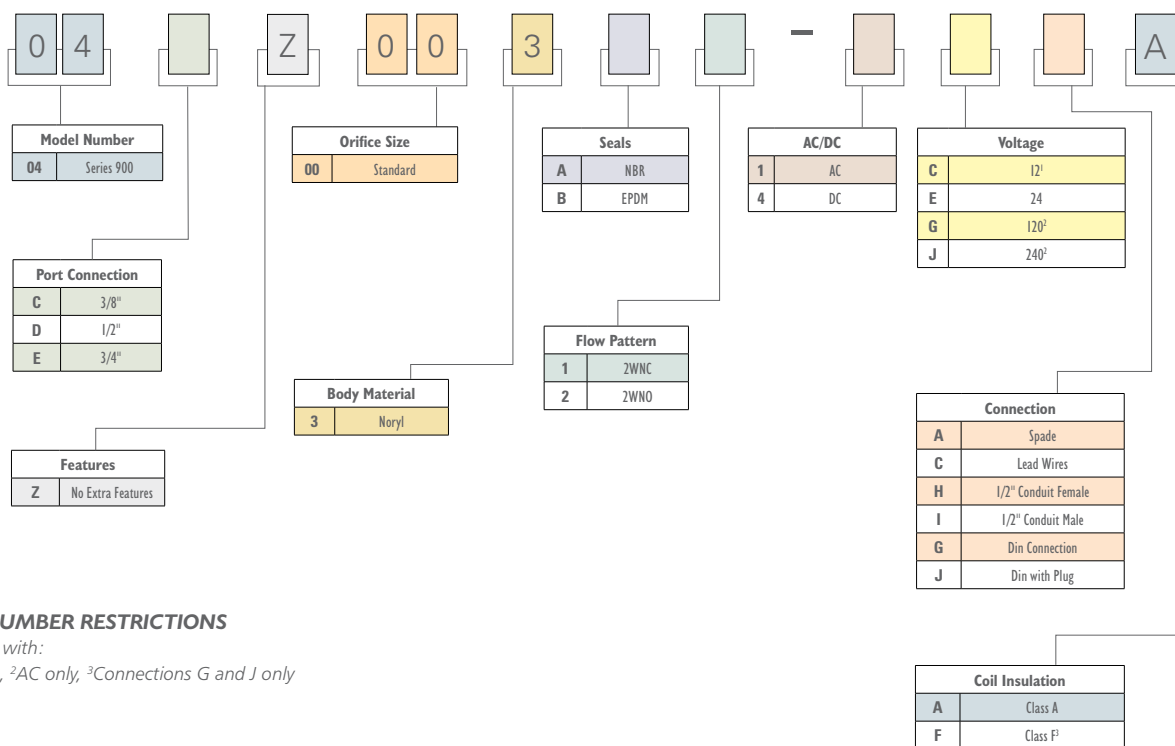
2/2 Normally Open Solenoid Pilot Operating

See page 74 for details on modes of operations.

## DIMENSIONAL DRAWINGS



## PART NUMBER SELECTION GUIDE FOR SERIES 900



### PART NUMBER RESTRICTIONS

Available with:

<sup>1</sup>DC only, <sup>2</sup>AC only, <sup>3</sup>Connections G and J only