

Model FT3 Thermal Gas Mass Flow Meter and Temperature Transmitter

For Industrial, Environmental,
Energy Monitoring and Process
Control Applications



**FM / FMc
ATEX / IECEx
APPROVED!**



FOX
THERMAL INSTRUMENTS, INC.
Fox is ISO 9001 certified



Smart, Real-Time Mass Flow Measurement

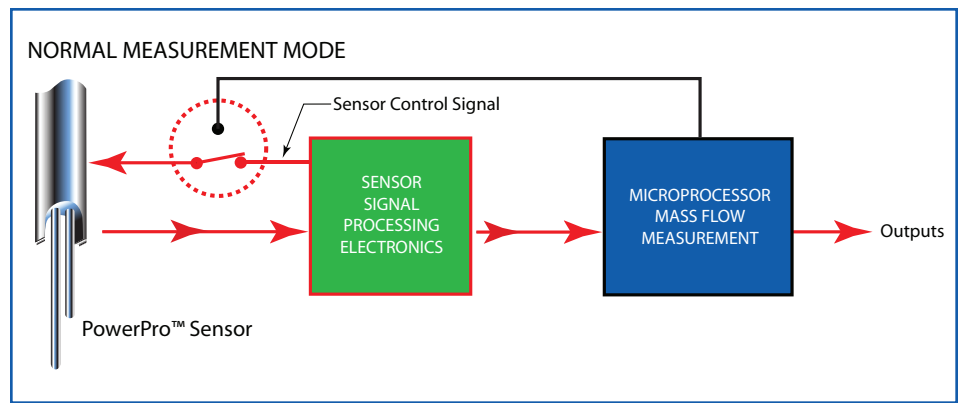
The Fox Model FT3 measures two important process variables with a single instrument, providing isolated 4 to 20 mA and pulse outputs for flow rate, and a 4 to 20 mA pulse output for process gas temperature or a second flow rate output.

Direct mass flow measurement, exceptional low-flow sensitivity, fast response, and low maintenance requirements distinguish the Fox Model FT3. Virtually immune to changes in temperature and pressure, the flow meter delivers repeatable, accurate mass flow measurement under varying loads. It's rugged, no-moving-parts design is also ideal for high-vibration industrial environments, and enhanced EMI immunity makes it suitable for environments where electric motors, ignitors or dirty power may affect instrument performance.

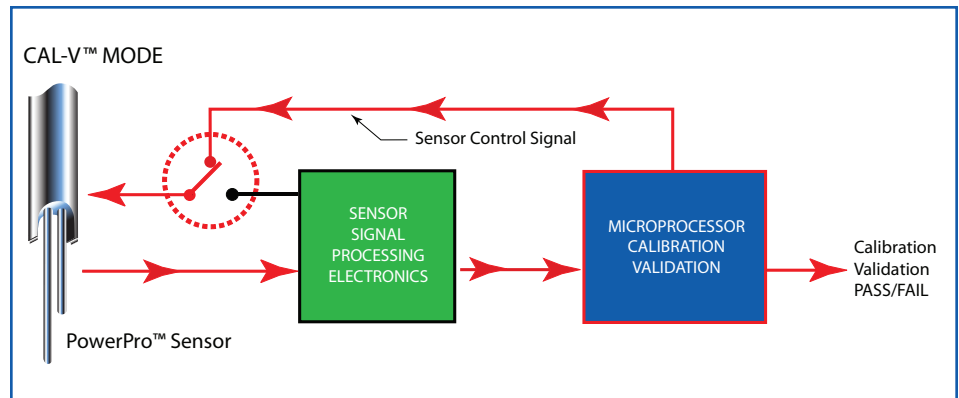
Creative Solutions - Calibration Validation with Fox Model FT3

Fox Thermal Instruments knows that customers want creative and effective solutions to some of their common process problems. Downtime due to equipment maintenance or calibration costs money and wastes valuable time. Calibration Validation of flow meters in the field provides assurance of the functionality of the meter and avoids the downtime associated with annual calibrations.

Used in succession, Fox's CAL-V™ and Zero CAL-CHECK™ Tests can give you the reassurance that your meter is performing accurately in the field without the need to interrupt flow or send the meter back to the factory. The tests are quick and easy to perform at any time and help with the



In normal measurement mode the signal processing electronics control the sensor.



In CAL-V™ mode, the microprocessor controls the sensor and determines the resulting electrical characteristics.

challenging requirements for measuring the flow of air and gases.

CAL-V™

The CAL-V™ feature is an in-situ calibration routine that validates the flow meter's calibration accuracy by testing the functionality of the sensor and its associated signal processing circuitry. This innovative approach lets you validate instrument calibration in the pipe, at process conditions, with just a push of a button. At the conclusion of the test, the meter will display a pass/fail message and the CAL-V™ data is saved in the meter for look-up at any time. CAL-V™ is an operator-initiated test

that can be performed at any flow rate, including zero, and is completed in just three to four minutes. During the test, the meter's microprocessor adjusts the signal to the sensor elements and determines the resulting electrical characteristics. These site-determined characteristics are compared with the data that was collected and stored in the instrument electronics during the original factory calibration. Matching data within established tolerances confirms the meter is measuring accurately.

Zero CAL-CHECK™ Tests

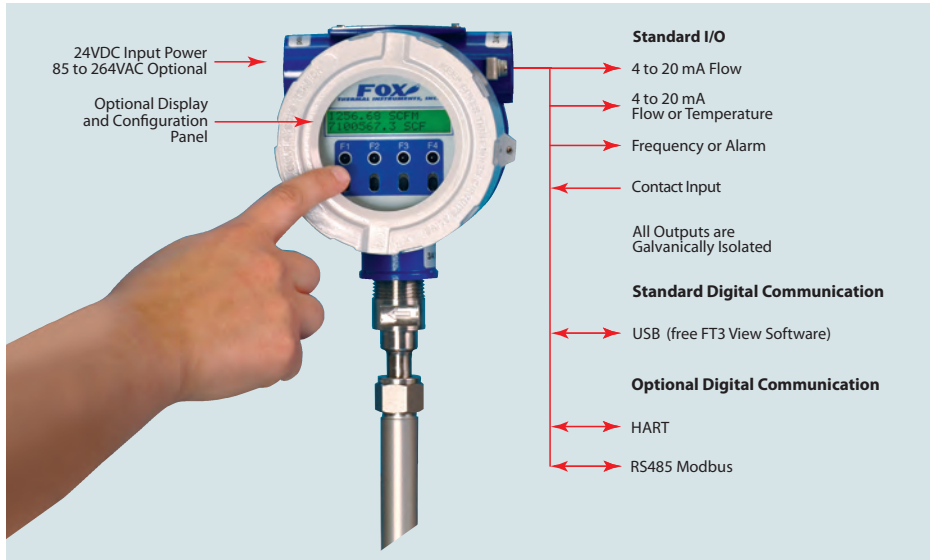
The Zero CAL-CHECK™ tests are used to ensure that the flow meter still retains its original NIST-traceable calibration at zero flow. The test can be performed in one of two ways: In-situ or Out-of-Pipe.

In-situ Zero CAL-CHECK™

If zero flow can be established, the sensor does not need to be removed and the procedure can be done in the pipe. If zero flow cannot be established, a Fox Packing Gland Assembly is used to remove the sensor from the gas stream to simulate a "no flow" condition.

CALIBRATION VALIDATION: Typical Requirements of Competitive Models	Other Thermal Flow Meters	FT3 with CAL-V™ & Zero CAL-CHECK™
Stop the flow*	Required	Not Required
Remove meter from pipe*		
Disconnect wires from flow meter		
Look up data on flow meter's calibration certificate		
Measure electrical characteristics with volt ohm meter		
Perform calculations to evaluate flow meter performance		
Set process pressure to manufacturer's calibration pressure		
Connect auxiliary test equipment and/or test gases to flow meter		

*When using a packing gland assembly for Zero CAL-CHECK™



available in 1/4-inch to 6-inch sizes and includes built-in flow conditioners that eliminate the need for long, straight pipe runs.

Communications Options

A USB connection is standard on the Model FT3, and Fox's free FT3 View™ software provides complete configuration and remote process monitoring functions. FT3 View™ lets you adjust meter configuration, evaluate transmitter alarm conditions, collect process data, and view measurements from your PC or control station. HART and RS485 Modbus are available options. All digital communication is isolated to provide immunity from electrical interference.

The test compares sensor characteristics at zero flow with customer-set zero flow baseline and takes less than five minutes to complete after zero flow condition has been established.

Out-of-Pipe Zero CAL-CHECK™

If zero flow cannot be established and the meter must be removed from the pipe, this test may be used. The test will compare the sensor characteristics at zero flow at ambient temperature and atmospheric pressure with the factory characteristics. This test can also be performed in less than five minutes once the set up is complete.

Easy Accuracy Reporting

Both CAL-V™ and the Zero CAL-CHECK™ Tests can be initiated from the front panel, USB connection, RS485 Modbus or HART. If initiated by Fox's FT3 View™ software tool, CAL-V™ or Zero CAL-CHECK™ Calibration Validation Certificates can be produced at the conclusion of the tests.

This feature is of particular value in environmental monitoring applications, such as flares and vents, where periodic calibration validation is mandated. These tests help operators comply with environmental mandates and eliminates the cost and inconvenience of annual factory calibration. It can also be used to streamline quality assurance, improve process initiatives, and apply scheduled maintenance procedures.

Rugged, Reliable Performance

The Fox PowerPro™ sensor operates at a

higher power level than competitive thermal flow sensors resulting in improved response time and wider turndown. The PowerPro™ sensor also provides exceptional accuracy at high velocities - up to 60,000 SFPM (280 NMPS).

The Model FT3 features a dual-compartment, explosion-proof electronics enclosure. One compartment houses the instrument electronics and the second compartment is accessible for your wiring terminations. A waterproof seal between the compartments helps prevent moisture damage and maintain the integrity of the instrument electronics.

An optional on-board 2 line x 16 character backlit display is available to view flow rate, total flow, elapsed time, process gas temperature and alarms. The display is also used in conjunction with the Configuration Panel for field configuration of flow meter settings such as 4 to 20 mA and pulse output scaling, pipe area, zero flow cutoff, flow filtering or damping, display configurations, diagnostics and alarm limits. Optically activated keys provide interface to the flow meter without removing the cover.

The Model FT3 features galvanically-isolated outputs and enhanced EMI immunity. A variety of meter configurations, materials, process connections and output options offer improved design flexibility, lower cost-of-ownership and enhanced control capabilities.

The Model FT3 is available in both insertion and inline models. The insertion meter is easily installed with a weld-o-let and compression fitting. The inline model is

NIST Traceable Factory Calibration

Fox calibrations are performed with NIST traceable flow standards. Whether you require a straightforward air calibration or a complex mixed gas calibration, our goal is to achieve the highest accuracy and the fastest turnaround time. The Fox Calibration Lab employs a wide range of gases, gas mixtures, temperatures, pressures and line sizes to simulate actual fluid and process conditions. This real-world approach improves installed accuracy and minimizes measurement uncertainty.



Built-in flow conditioning improves measurement accuracy in space-constrained applications.



Summary Specifications

Performance Specs

Flow Accuracy:

Inline meter: $\pm 1\%$ of reading $\pm 0.2\%$ of full scale.

8 diameters of straight, unobstructed pipe upstream and 4 downstream required.

Insertion meter: $\pm 1\%$ of reading $\pm 0.4\%$ of full scale.

15 diameters of straight, unobstructed pipe upstream and 10 downstream required.

Flow Repeatability: $\pm 0.2\%$ of full scale

Flow Response Time: 0.9 seconds (one time constant)

Temperature Accuracy:

$\pm 1.8^\circ\text{F}$ ($\pm 1.0^\circ\text{C}$) -40 to 250°F (-40 to 121°C); $\pm 3.6^\circ\text{F}$ ($\pm 2.0^\circ\text{C}$), 250 to 650°F (121 to 343°C); 60 SPPM minimum.

Calibration:

Factory Calibration to NIST-traceable standards

CAL-V™ and Zero CAL-CHECK™: In situ, operator-initiated calibration validation

Operating Specs

Units of Measurement (field selectable):

SCFM, SCFH, NMPS, NM3/M, NM3/H, NM3/D, NLPS, NLPM, NLPH, MCFD, MSCFD, SCFD, MMSCFD, MMSCFM, SMPS, SM3/H, LB/S, LB/M, LB/H, LB/D, KG/S, KG/M, KG/H, SLPM, SPPM, MT/H, SM3/M

Flow Rates for Insertion Flow Meter:

15 to 60,000 SPPM (0.07 to 280 NMPS) - Air at 70°F (20°C) & 1 ATM

Turndown: up to 1000:1; 100:1 typical

Typical Flow Ranges for Insertion Flow Meters		
Pipe size	SCFM	NM ³ /HR
1.5" (40mm)	0 - 840	0 - 1,320
2" (50mm)	0 - 1,400	0 - 2,200
3" (80mm)	0 - 3,080	0 - 4,860
4" (100mm)	0 - 5,300	0 - 8,360
6" (150mm)	0 - 12,000	0 - 18,900
8" (200mm)	0 - 20,800	0 - 32,800
12" (300mm)	0 - 46,600	0 - 73,500

Flow Ranges for Inline Flow Meters		
Pipe size	SCFM	NM ³ /HR
0.25"	0 - 20	0 - 32
0.5"	0 - 90	0 - 140
0.75"	0 - 180	0 - 280
1"	0 - 320	0 - 500
1.25"	0 - 580	0 - 910
1.5"	0 - 840	0 - 1,320
2"	0 - 1,400	0 - 2,200
2.5"	0 - 2,000	0 - 3,150
3"	0 - 3,080	0 - 4,860
4"	0 - 5,300	0 - 8,360
6"	0 - 12,000	0 - 18,900

Note: Standard conditions of air at 70°F and one atmosphere. Consult factory for other gases and for flow ranges above those listed. Inline meters above 5,000 SCFM (7,900 NM³/H) air may require third party Calibration. Contact Fox.

Gas Pressure (maximum): Insertion: 500 psig (34.5 barg)

Inline (1/4" - 6"): NPT 500 psig (34.5 barg); 150# flange 230 psig (16 barg)

Check with factory for higher pressure options.

Note: Pressure ratings stated for temperature of 100°F (38°C).

Relative Humidity: 90% RH maximum; non-condensing

Temperature (see Agency Approvals table to the right):

ST sensor: -40 to 250°F (-40 to 121°C)

HT Sensor: 32 to 842°F (0 to 450°C)

Enclosure:

Without display or AC power supply: -40 to 158°F (-40 to 70°C)

With display and/or AC power supply: -4 to 158°F, (-20 to 70°C)

Remote sensor junction box: -40 to 158°F (-40 to 70°C)

Input Power:

24 VDC, $\pm 10\%$, 0.75 amp standard; 85 to 264 VAC 47-63Hz, 20 watts optional.

Inputs/Outputs:

All outputs and communication circuits are galvanically isolated.

4 to 20mA output one is proportional to the measured flow rate. Fault indication per NAMUR NE43.

4 to 20mA output two is programmable for temperature or flow rate.

Digital output one is programmable for either frequency or alarm output. Output is open collector type, operating voltage 5V to 24V, maximum sinking current: 10mA. The frequency output is proportional to flow rate with a range of 0 to 100Hz. When configured for alarm, the digital output generates an on or off signal.

Remote switch input can be configured to reset elapsed time, flow totalizer and switch between gas curves when the 2 gas curve option is ordered.

USB communication port is standard. The free PC-based software tool - FT3 View™ - provides complete configuration, remote process monitoring, and data logging functions.

Optional serial communication: HART and RS485 Modbus.

4 to 20mA Loop Verification:

Simulation mode used to align 4 to 20mA output with the input to customer's PLC/DCS.

Physical Specs

Sensor Material:

316 stainless steel standard; Hastelloy C276 optional

Enclosure:

NEMA 4X (IP68), Aluminum, dual conduit entries with 3/4" NPT or optional M20 x 1.5mm. Cabling to remote enclosure: 5-conductor, 18 AWG, twisted, shielded, 100 feet maximum.

Retractor Assemblies:

Packing gland assembly: 125 psig (8.6 barg) max.

High pressure (crank) retractor: NPT 600 psig (41.4 barg), ANSI 150 flange & ANSI 300 flange, no valve supplied.

Insertion Flow Meter Installation:

Fox-supplied compression fitting connects to customer-supplied 3/4" female coupling welded to pipe.

Dimensions: www.foxthermalinstruments.com/all-dimensions.php

Agency Approvals

CE: Approved

EMC Directive; 2004/108/EC, Emissions and immunity Testing: EN61326-1:2008

FM/FMc: Approved

Class I, Div. 1, Gps B, C, D; Class II, Div. 1, Gps E, F, G; and Class III, Div. 1; T3C, Ta = -40° to 70°C; Class I, Zone 1, AEx/Ex d IIB + H2 (T6, T4 or T1*); Ta = -20°C to 70°C; Type 4X, IP67.

ATEX (FM12ATEX0034X): Approved

II 2 G Ex d IIB + H2 (T6, T4 or T1*); Gb Ta = -20°C to 70°C; IP67

II 2 D Ex tb IIIC (T85°C, T135°C or T450°C*) Db Ta = -20°C to 70°C; IP67

IECEx (IECEx FMG 12.0010X): Approved

Ex d IIB + H2 (T6, T4 or T1*); Gb Ta = -20°C to 70°C; IP67

Ex tb IIIC (T85°C, T135°C or T450°C*) Db Ta = -20°C to 70°C; IP67**

Model Code		Temperature Code (Gas)		Temperature Code (Dust)	
Encl.	Sensor	Mn. Encl.	Remote	Mn. Encl.	Remote
E1	ST	T4	N/A	135°C	N/A
E2	ST	T4	N/A	135°C	N/A
E3	ST	T6	T4	85°C	135°C**
E4	ST	T6	T4	85°C	135°C**
E3	HT	T6	T1	85°C	450°C**
E4	HT	T6	T1	85°C	450°C**

*Temperature code ratings for Zones are dependent on external process temperature factors and equipment enclosure configuration. See table above for specific temperature code ratings.

**The IECEx dust rating does not apply to the Remote Enclosure.



FOX
THERMAL INSTRUMENTS, INC.

399 RESERVATION RD, MARINA, CA 93933

PH: 831-384-4300 FX: 831-384-4312

sales@foxthermalinstruments.com

www.foxthermalinstruments.com

FT3 Brochure Rev D