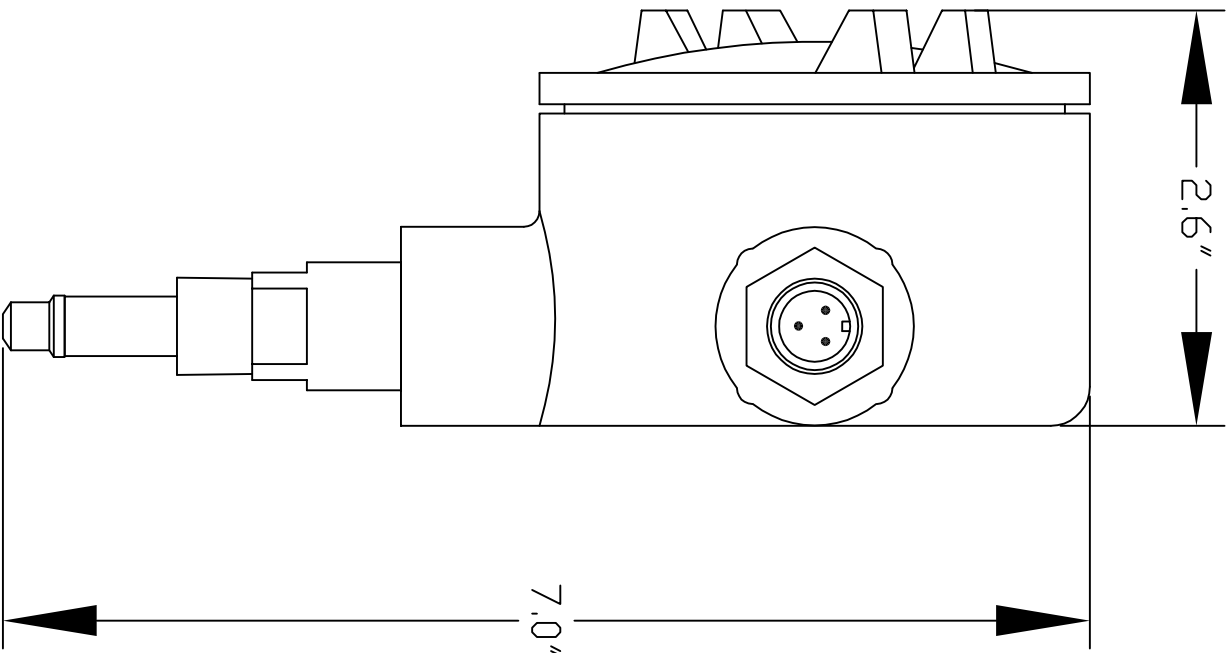
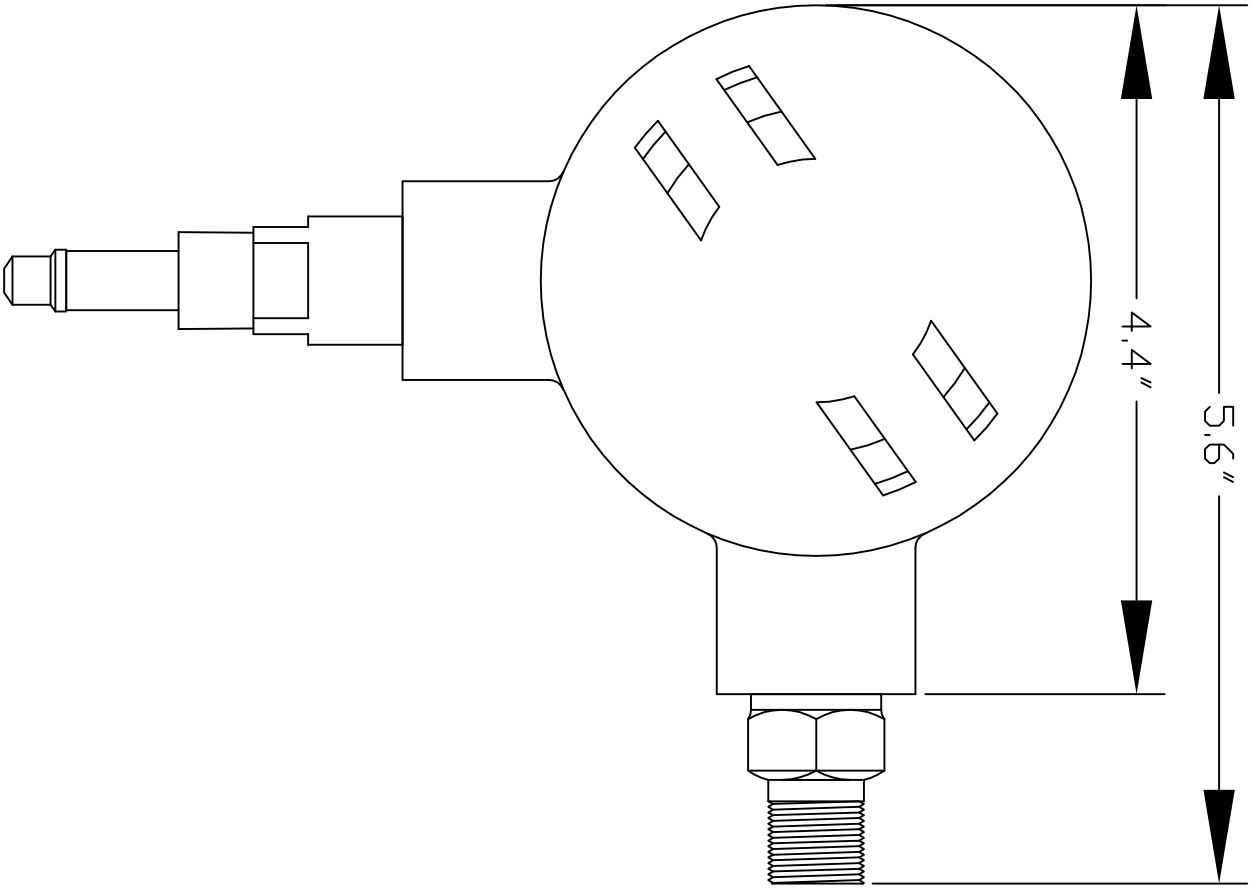


FIP DIMENSIONS



PURCHASED PART DRAWING

THIS PRINT, INCLUDING THE INFORMATION CONTAINED IN IT, IS THE PROPERTY OF AW COMPANY. IT IS CONSIDERED PROPRIETARY IN NATURE AND MAY NOT BE USED OR DISCLOSED OUTSIDE OF AW COMPANY, EXCEPT UNDER PRIOR WRITTEN AGREEMENT. ANY MODIFICATIONS MADE TO OR COMMENTS WRITTEN ON THIS DRAWING BY UNAUTHORIZED PERSONNEL, WILL VOID THIS DRAWING. ALL DIMENSIONS SHOWN ARE SUBJECT TO CHANGE WITHOUT NOTICE.



AW-LAKE COMPANY
A TASI GROUP COMPANY

8809 INDUSTRIAL DRIVE
FRANKSVILLE, WI 53126
(414) 884-9800
FAX: # (414) 884-9810

TITLE: FIP DIMENSIONS

DRAWING NUMBER: FIPX700B

DATE: 06/12/07

CHECKED BY: C.H.

REVISION: B

PAGE: 1

OF: 1

DRAWN BY: S. HONSBERGER

SCALE: NONE

PART NUMBER: -