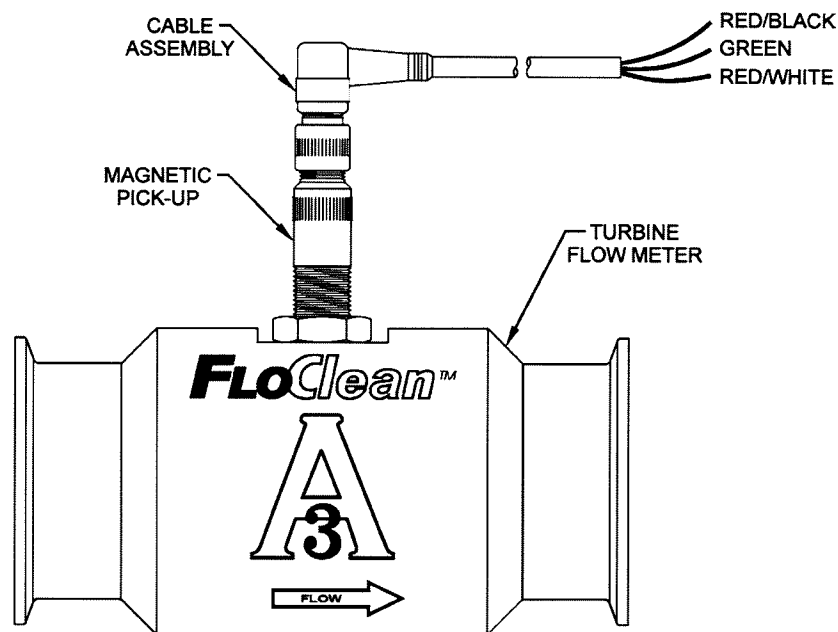


### GENERAL DESCRIPTION:

The Blancett Model B161210 Nema 6 Magnetic pick-up/ Pre-Amplifier was designed to directly replace a standard pick-up within a turbine flow meter. It is to be used when signal amplification is required. The pick-up is a combination of a standard Blancett magnetic pick-up, and a solid state electronic pre-amplifier, combined in stainless steel housing.

As fluid flows through the meter the rotor blades rotate at a speed proportional to the fluid velocity. As the rotor blade passes through the magnetic field induced by the pick-up, a voltage pulse is generated. The voltage signal generated by the pulses becomes amplified within the pick-up. The output signal generated from the pick-up is now in the form of a square wave. The frequency of this amplified signal is used to represent the flow rate of fluid passing through the turbine flow meter.



SPECIFICATIONS:

Supply Voltage: STD. 5 to 30Vdc

Input Current: STD. 15 mA

Pulse Out: STD. 0 to 10 Vpp

Input Sensitivity: 30mV

Temperature Range: -20° to +160° f  
(-29° to + 71° c)

- Rating NEMA 6 P (Brad Harrison Requirement: submission in 6' ( 3psi ) of water
- Mating Connection: 3 pin 90° (Part # B160206, B160212, and B160220), 6, 12, and 20 feet of PVC sacketed, 22 AWC, PVC insulated of cable standard. *Sold separately.*
- Construction: Housing: stainless steel  
Epoxy encapsulation  
Connector: MSE Micro-C 3 pin Gold plated contacts

INSTALLATION INSTRUCTION:

The Model B161210 is simply threaded into the hole in the turbine meter (5/8"-18UNF) until the pick-up bottoms out. Tighten pick-up finger tight and not over tighten. Install the Brad Harrison connector with the correct orientation and connect the wire ends with correct common wiring practices. The pin configuration is as follows in Table #1.

TABLE #1

Connector Pin Letter	Description	Wire Color
2	Power: +5 to 24 Vdc @ 15 mA	Red / Black
1	Common: power return	Green
3	Output Signal: 0 to 10V (Square Wave)	Red / White