



NAMUR 5/2 SERIES | ACTUATOR CONTROL VALVE



For definition of valve type refer to page 70

GENERAL INFORMATION

Valve Highlights

- 1/4" ports
- Namur interface for actuator mounting
- Pilot actuated spool valve

Body Materials

- Anodized aluminum
- Stainless steel

Seal Options and Temperature Ranges

- Nitrile (BunaN): 14°F to 176°F
- EPDM: -58°F to 248°F

Electrical Connection

- Standard: 9mm din connector (NEMA 4 protection class)
- Optional: Hazardous enclosure, see page 68 for details (NEMA 6 protection class)

Electrical Characteristics

- Standard coil class: F
- Power consumption: See table below
- DC voltages: 12, or 24
- AC voltages: 24, 120, or 240

Operating Characteristics

- Approved ambient temperature range: 14°F to 122°F
- Approved media: Air

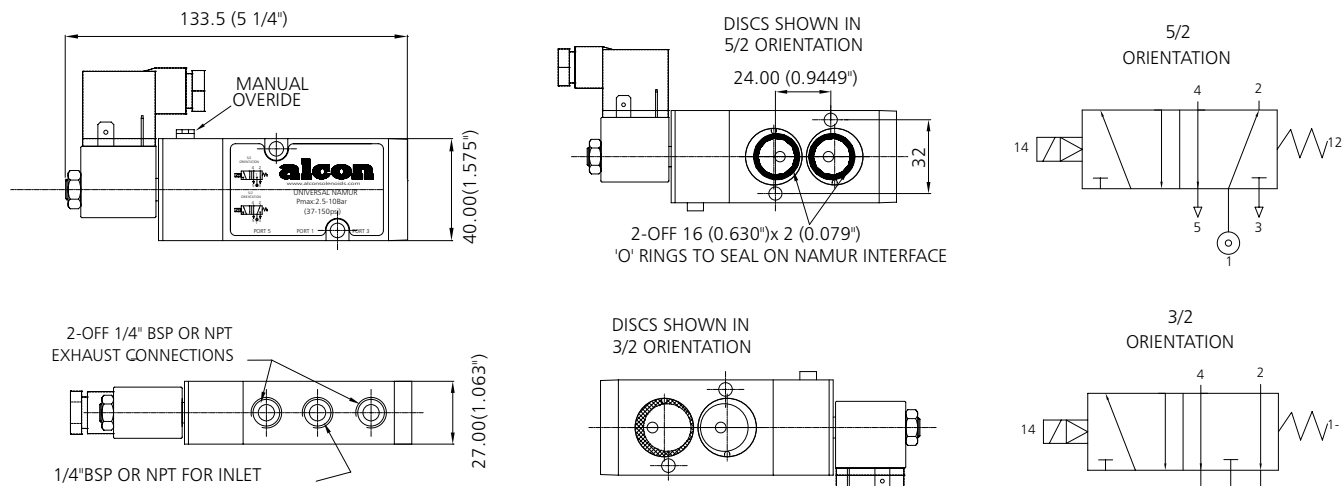
PORT AND ORIFICE SELECTION GUIDE

SELECTION OF PORT AND ORIFICE SIZES WITH CORRESPONDING FLOW, PRESSURE, POWER AND WEIGHT SPECIFICATIONS

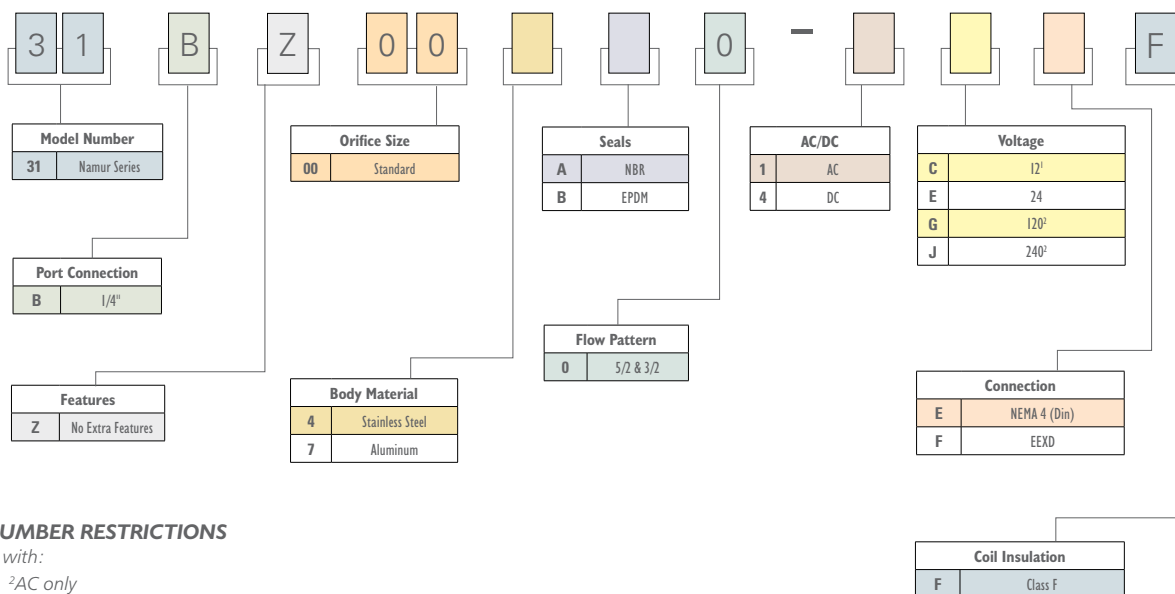
PORT SIZE	CV	OPD* (PSI)		POWER (WATTS)	BODY MATERIAL	WEIGHT (LBS.)
		AC COIL	DC COIL			
1/4"	0.50	36-150	36-150	5.0	Aluminum	0.4
1/4"	0.50	36-150	36-150	14.5	Aluminum	1.3
1/4"	0.50	36-150	36-150	1.6	Aluminum	0.4
1/4"	0.50	36-150	36-150	5.0	SS	1
1/4"	0.50	36-150	36-150	14.5	SS	1.8
1/4"	0.50	36-150	36-150	1.6	SS	0.4

* Operating Pressure Differential (OPD): The difference in pressure between the inlet and outlet ports at which the valve can safely operate. Catalog figures represent tests carried out at +/- 10% of rated voltage with ambient temperature of 80°F.

DIMENSIONAL DRAWINGS [INCHES]



PART NUMBER SELECTION GUIDE FOR NAMUR SERIES



PART NUMBER RESTRICTIONS

Available with:

¹DC only, ²AC only

STANDARD FLOW DATA

