

# AC Current Probe Model JM810A

## User Manual

### DESCRIPTION

The JM810A (Catalog #2110.80) is designed for use in industrial environments. The “squared” jaws permit multiple conductor or bus bar positioning. The current output makes it the perfect tool for measurement with DMMs, recorders, power and harmonic meters. The Model JM810A is compatible with any AC ammeter, multimeter, or other current measuring instrument with an input impedance lower than  $1\Omega$ . To achieve the stated accuracy, use the JM810A with the DMM having an accuracy of 0.75%.

### WARNING

These safety warnings are provided to ensure the safety of personnel and proper operation of the instrument.

- Read the instruction manual completely and follow all the safety information before attempting to use or service this instrument.
- Use caution on any circuit: Potentially high voltages and currents may be present and may pose a shock hazard.
- Read the Safety Specifications section prior to using the current probe. Never exceed the maximum voltage ratings given.
- Safety is the responsibility of the operator.
- ALWAYS connect the current probe to the display device before clamping the probe onto the sample being tested.
- ALWAYS inspect the instrument, probe, probe cable, and output terminals prior to use. Replace any defective parts immediately.
- NEVER use the current probe on electrical conductors rated above 600V. Use extreme caution when clamping around bare conductors or bus bars.

### INTERNATIONAL ELECTRICAL SYMBOLS



This symbol signifies that the current probe is protected by double or reinforced insulation. Use only factory specified replacement parts when servicing the instrument.



This symbol signifies CAUTION! and requests that the user refer to the user manual before using the instrument.



This is a type A current sensor. This symbol signifies that application around and removal from HAZARDOUS LIVE conductors is permitted.

### DEFINITION OF MEASUREMENT CATEGORIES

**Cat. I:** For measurements on circuits not directly connected to the AC supply wall outlet such as protected secondaries, signal level, and limited energy circuits.

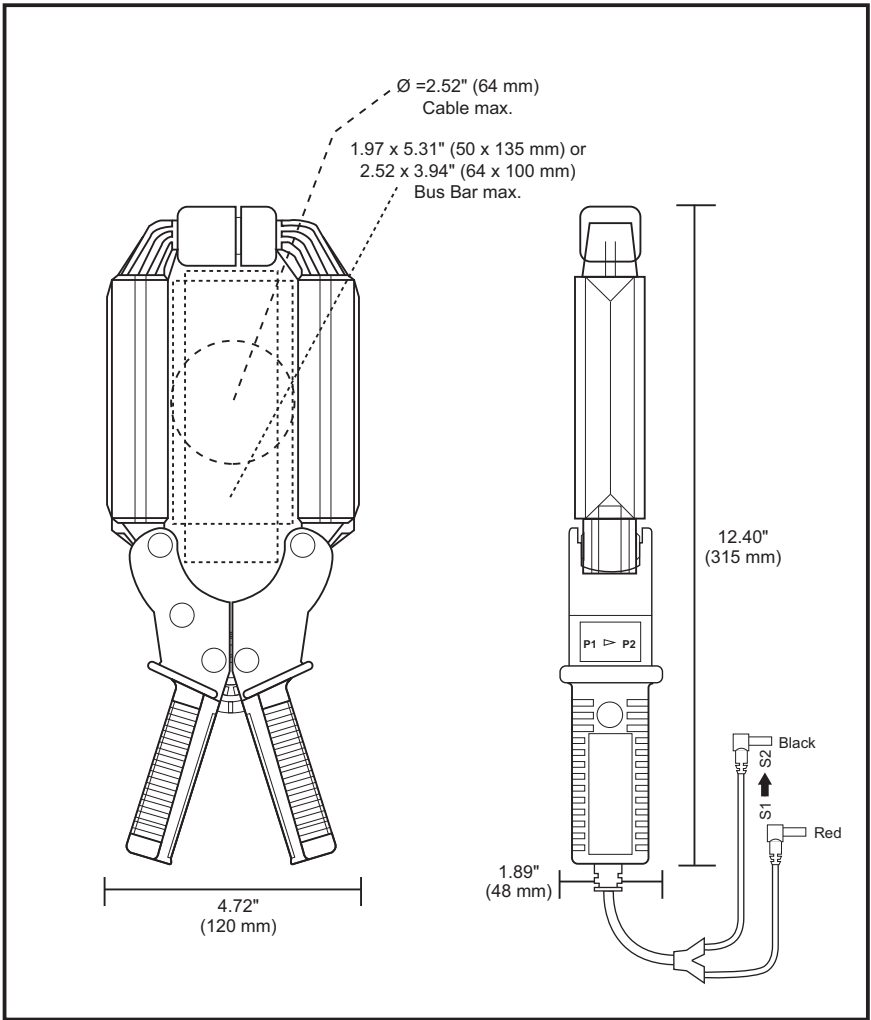
**Cat. II:** For measurements performed on circuits directly connected to the electrical distribution system. Examples are measurements on household appliances or portable tools.

**Cat. III:** For measurements performed in the building installation at the distribution level such as on hardwired equipment in fixed installation and circuit breakers.

**Cat. IV:** For measurements performed at the primary electrical supply (<1000V) such as on primary overcurrent protection devices, ripple control units, or meters.

### RECEIVING YOUR SHIPMENT

Upon receiving your shipment, make sure that the contents are consistent with the packing list. Notify your distributor of any missing items. If the equipment appears to be damaged, file a claim immediately with the carrier and notify your distributor at once, giving a detailed description of any damage.



**ELECTRICAL SPECIFICATIONS**

**Current Range:**

1 to 2000AAC, continuous cycle for the full temperature range

**Transformation Ratio:**

2000:2

**Output Signal:**

1mA AC/A AC (2A at 1000A)

**Accuracy and Phase Shift\*:**

Primary current	100A	400A	2000A
Accuracy %	2%	1%	0.5%
Phase shift	1.5°	0.75°	0.5°

\*(Reference conditions: 23°C ±3°C, 20 to 85% RH, 48 to 65 Hz, external magnetic field < 40 A/m, no DC component, no external current carrying conductor, test sample centered.) Load impedance 0.5Ω.

**Overload:** 2400A for 10mn

**Accuracy:** Per IEC 185-26-27  
Class 0.5 from 48 to 1000Hz

**Frequency Range:**  
30 Hz to 5 kHz; current derating above  
1000kHz for continuous use.

**Load Impedance:**  $\leq 1\Omega$

**Working Voltage:** 600VAC

**Common Mode Voltage:** 600VAC

**Influence of Adjacent Conductor:**  
0.005A / AAC

**Influence of Conductor in Jaw Opening:**  
 $1\% \pm 0.1A$  of reading

## **MECHANICAL SPECIFICATIONS**

**Operating Temperature:**  
14° to 122°F (-10° to 50°C)

**Storage Temperature:**  
-13° to 176°F (-25° to 80°C)

**Influence of Temperature:**  
< 0.1% per 10°K

**Jaw Opening:** 3.54" (90mm)

**Maximum Conductor Size:**  
Cable: 2.52"  $\varnothing$  max. (64mm)  
Bus bar: 1.97 x 5.31" (50 x 135mm)  
2.52 x 3.94" (64 x 100mm)

**Envelope Protection:**  
IP 20 (IEC 529)

**Drop Test:**  
500mm (IEC 68-2-32)

**Mechanical Shock:**  
100 g (IEC 68-2-27)

**Vibration:**  
10/55/10 Hz, 0.15mm (IEC 68-2-6)

**Polycarbonate Material:**  
Handles: 10% fiberglass charged  
polycarbonate UL 94 V0  
Jaws: ABS UL 94 V2

**Dimensions:**  
4.72 x 12.40 x 1.89" (120 x 315 x 48mm)

**Weight:**  
2.65 lbs (1200 g)

**Colors:**  
Dark gray handles with red jaws

**Output:**  
5 ft (1.5m) lead with safety 4 mm banana plug

## **SAFETY SPECIFICATIONS**



**Electrical:**  
IEC 1010-2-32  
600V max. common mode between output and  
ground

## **ORDERING INFORMATION**

**Current Probe JM810A**.....Cat. #2110.80  
*Includes a user manual and a product  
warranty and registration card.*

**Accessories:**  
Banana plug adapter  
(to nonrecessed plug).....Cat. #1017.45

## OPERATION

Please make sure that you have already read and fully understand the WARNING section on page 1.

### Making Measurements with the AC Current Probe Model JM810A

- Connect the black and red terminals to the Ampere AC range of your DMM or current measuring instrument. Select the appropriate current range (2A AC). Clamp the probe around the conductor to be tested. If the reading is less than 200mA, select the lower range until you obtain the best resolution. Read the value display on the DMM and multiply it by the probe ratio (1000/1). (If reading = 0.592A AC, the current flowing through the probe is  $0.592A \times 1000 = 592A$  AC).
- For best accuracy: carefully center the conductor inside the probe jaw, avoid if possible, the proximity of other conductors which may create noise.

### Tips for Making Precise Measurements

- When using a current probe with a meter, it is important to select the range that provides the best resolution. Failure to do this may result in measurement errors.
- Make sure that probe jaw mating surfaces are free of dust and contamination. Contaminants cause air gaps between the jaws, increasing the phase shift between primary and secondary. It is very critical for power measurement.

## MAINTENANCE



### Warning:

- For maintenance use only original factory replacement parts.
- To avoid electrical shock, do not attempt to perform any servicing unless you are qualified to do so.
- To avoid electrical shock and/or damage to the instrument, do not get water or other foreign agents into the probe.

### Cleaning:

To ensure optimum performance, it is important to keep the probe jaw mating surfaces clean at all times. Failure to do so may result in error in readings. To clean the probe jaws, use very fine sand paper (fine 600) to avoid scratching the jaw, then gently clean with a soft oiled cloth.

## REPAIR AND CALIBRATION

You must contact our Service Center for a Customer Service Authorization number (CSA#). This will ensure that when your instrument arrives, it will be tracked and processed promptly. Please write the CSA# on the outside of the shipping container. If the instrument is returned for calibration, we need to know if you want a standard calibration, or a calibration traceable to N.I.S.T. (includes calibration certificate plus recorded calibration data).

Chauvin Arnoux<sup>®</sup>, Inc. d.b.a. AEMC<sup>®</sup> Instruments  
15 Faraday Drive • Dover, NH 03820 USA

Tel: (800) 945-2362 (Ext. 360)  
(603) 749-6434 (Ext. 360)

Fax: (603) 742-2346 or (603) 749-6309

repair@aemc.com

(Or contact your authorized distributor)

Costs for repair, standard calibration, and calibration traceable to N.I.S.T. are available.

**NOTE: All customers must obtain a CSA# before returning any instrument.**

## TECHNICAL AND SALES ASSISTANCE

If you are experiencing any technical problems, or require any assistance with the proper use or application of this instrument, please call our technical hotline:

(800) 343-1391 • (508) 698-2115 • Fax (508) 698-2118

Chauvin Arnoux<sup>®</sup>, Inc. d.b.a. AEMC<sup>®</sup> Instruments  
techsupport@aemc.com  
www.aemc.com