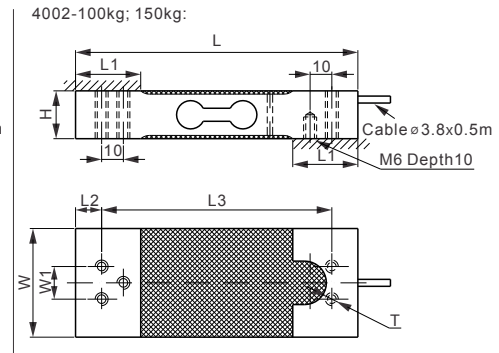
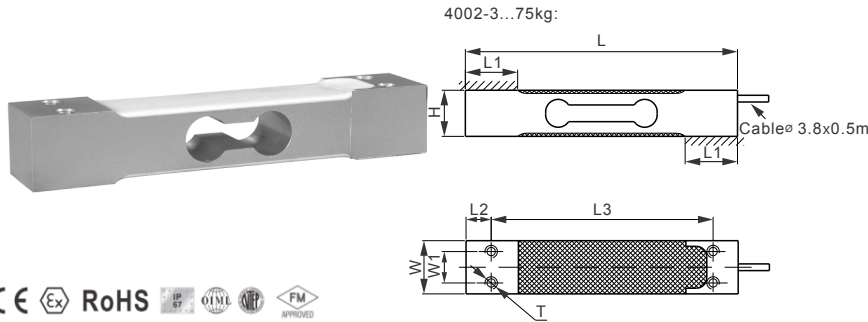


4002

Aluminum



** NOTE : Not all approvals are available on all models. Please request a certified drawing if specific approvals are required.

DIMENSIONS

RATED CAPACITY	H	L	L1	L2	L3	W	W1	T
kg/mm								
3..30	22.0	130.0	25.0	12.0	106.0	25.4	15.0	4-M6 Hole
35; 40	22.0	130.0	25.0	12.0	106.0	30.0	15.0	4-M6 Hole
45	22.0	130.0	30.0	12.0	106.0	30.0	15.0	4-M6 Hole
50; 60; 75	22.0	130.0	30.0	12.0	106.0	38.5	15.0	4-M6 Hole
100; 150	22.0	130.0	30.0	12.0	106.0	50.0	15.0	5-M6 Hole
lb/inches (conversion of above dimensions)								
6.61 ..66.14	0.87	5.12	0.98	0.47	4.17	1.00	0.59	4-M6 Hole
77.16 ..88.18	0.87	5.12	0.98	0.47	4.17	1.18	0.59	4-M6 Hole
99.21	0.87	5.12	1.18	0.47	4.17	1.18	0.59	4-M6 Hole
110.23; 132.28; 165.35	0.87	5.12	1.18	0.47	4.17	1.52	0.59	4-M6 Hole
220.46; 330.69	0.87	5.12	1.18	0.47	4.17	1.97	0.59	5-M6 Hole

SPECIFICATIONS

Accuracy class		C3
Rated Capacity	kg	3; 6; 10; 20; 30; 35; 40; 45
Weight (G), approx.	kg/lb	0.2 / 0.44
Reference Max. Platform Size	mm	400±400
Full Scale Output	mV/V	2±10%
Zero Balance	mV/V	±0.06
Non-linearity *	%	<±0.017
Repeatability *	%	<±0.017
Hysteresis Error *	%	<±0.017
Creep in 30 min.	%	<±0.023
Bridge Resistance	Ω	415±15
Rated Excitation	V(DC/AC)	10 (15V Maximum)
Insulation Resistance	GΩ	>1[50 VDC]
Nominal Temperature Range	°C/°F	-10 to 40 / 14 to 104
Safe Overload	% of full scale	150
Breaking Overload	% of full scale	300
Seal Type		Environmentally-sealed, IP66
Reference Mounting		Socket-head cap screw: M6-8.8 Tightening torque: 6Nm

- Exc+ Red
- Sig+ Green
- Exc- Black
- Sig- White
- Shield Bare

* The data for deviation of linearity, repeatability and hysteresis error meets the requirements according to OIML R60

INTERCHANGEABLE PRODUCTS

Manufacturer	Model
Mettler-Toledo	MT1022
HBM.....	PW6C3
HBM.....	PW6K
Rice Lake.....	RL1521A
Vishay TedeA-Huntleigh.....	1022
Vishay Celtron	LPS ME 6-35kg