

## Signet 3-0250 USB to S<sup>3</sup>L Configuration / Diagnostic Tool



Tool shown actual size

### Description

The new 3-0250 USB to S<sup>3</sup>L Configuration / Diagnostic Tool interfaces with Signet's various digital sensors to allow users to select all parameters available for modification, monitor the sensor's data on the PC/Laptop, or log the sensor's data to a file. Multi-language Software in English, German, French, Italian, Portuguese and Spanish.

### System Overview

#### Modifiable Parameters

2250, 2350, 2450, 2750:

- Modify 4mA and 20mA Set Points
- Select units and Specific Gravity (2250 only) for improved accuracy and to eliminate the need for additional calculations.

2551 and 2552:

- Unit Selection
- 4mA and 20mA Set Points
- Low-Flow Cut-Off
- Quick Response Sensitivity
- Averaging Time
- Noise Rejection Frequency

#### Control Functionality

- Read the parameters from the sensor and display them on the screen
- Write the new settings on the screen to the sensor
- Load a previously saved configuration
- Save the new settings to a file
- Restore the parameters to Factory Settings

#### Graphing Functionality

- Monitor sensor data on the screen.
- Log the sensor data to a file.
- Start, Stop, and Resume monitoring/logging.
- Set Monitor/Logging Time in seconds: 1 to 86400 (24 hours)
- Primary values such as Level, Temperature, pH, ORP, Flow Rate/Velocity, are displayed/logged.
- Additional values such as Temperature and mV for pH are also displayed. The mV reading can allow users to monitor the life of a pH/ORP electrode.

### Features

- User-Friendly Interface
- Configure blind sensors
- Configure all modifiable parameters in the sensor
- Monitor sensor data or log sensor data to a file
- Monitor mV and Temperature readings in pH/ORP sensors
- Graph sensor data
- Red and Blue LED indicators for power and data transmission
- 6 ft. USB extension cable

### Compatible Sensors

**2250 Hydrostatic Level Sensor**

**2350 Temperature Sensor**

**2450 Pressure Sensor**

**2750 DryLoc® pH/ORP Sensor Electronics**

**2551 Magmeter Flow Sensor**

**2552 Metal Magmeter Flow Sensor**



## Specifications

### Materials:

- ABS Body

### Power Requirements

- Supplied by USB port on PC/Laptop

### Inputs

- 3-wire S<sup>3</sup>L input

### Output Specifications

- USB 1.0, 2.0

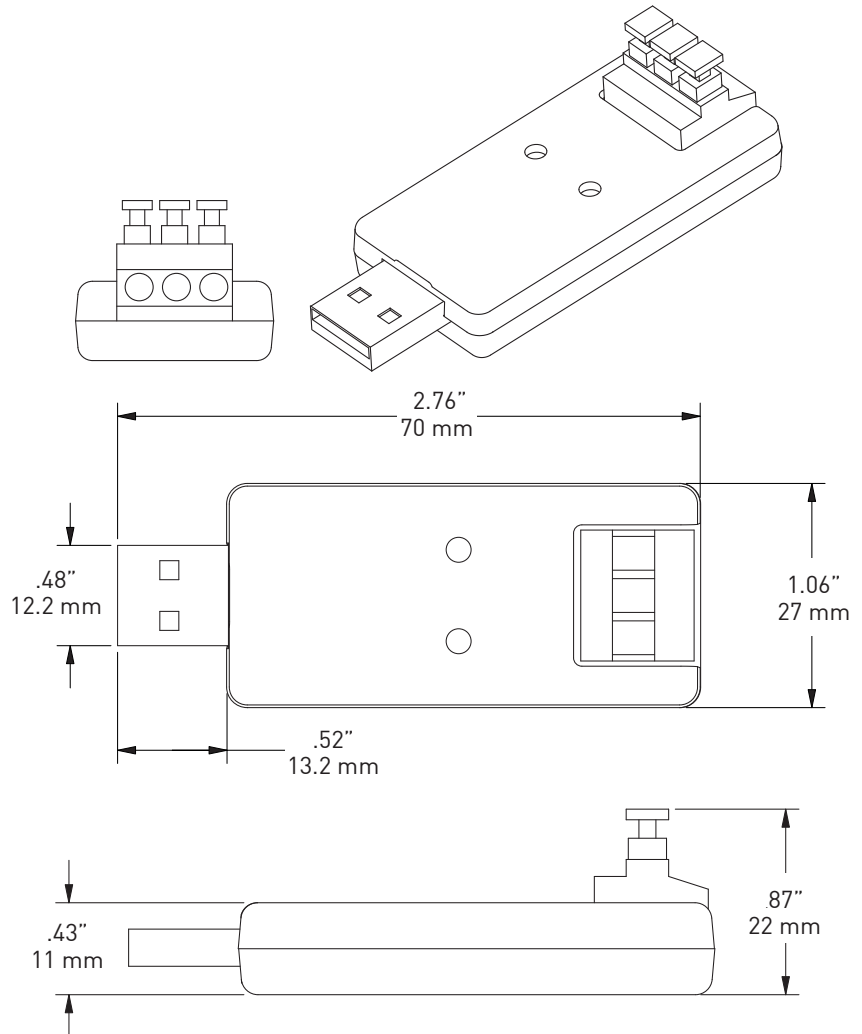
### Environmental Requirements

- RoHS compliant
- WEEE compliant

### Standards and Approvals

- CE

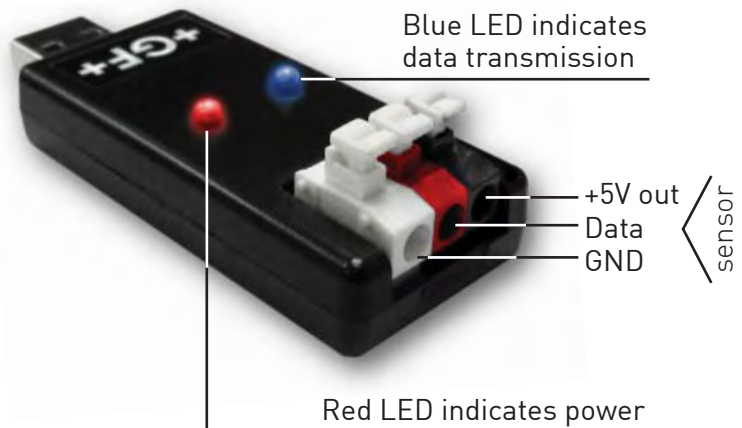
## Dimensions



## Ordering Information

Model 0250 USB to S<sup>3</sup>L Configuration / Diagnostic Tool

| Part Number | Code        |
|-------------|-------------|
| 3-0250      | 159 001 538 |



\* for wiring reference please see manual

### Georg Fischer Signet LLC

3401 Aerojet Avenue, El Monte, CA 91731-2882 U.S.A. • Tel. (626) 571-2770 • Fax (626) 573-2057 For Worldwide Sales and Service, visit our website: [www.gfsignet.com](http://www.gfsignet.com) • E-mail: [info@gfsignet.com](mailto:info@gfsignet.com) Specifications subject to change without notice. All rights reserved. All corporate names and trademarks stated herein are the property of their respective companies.