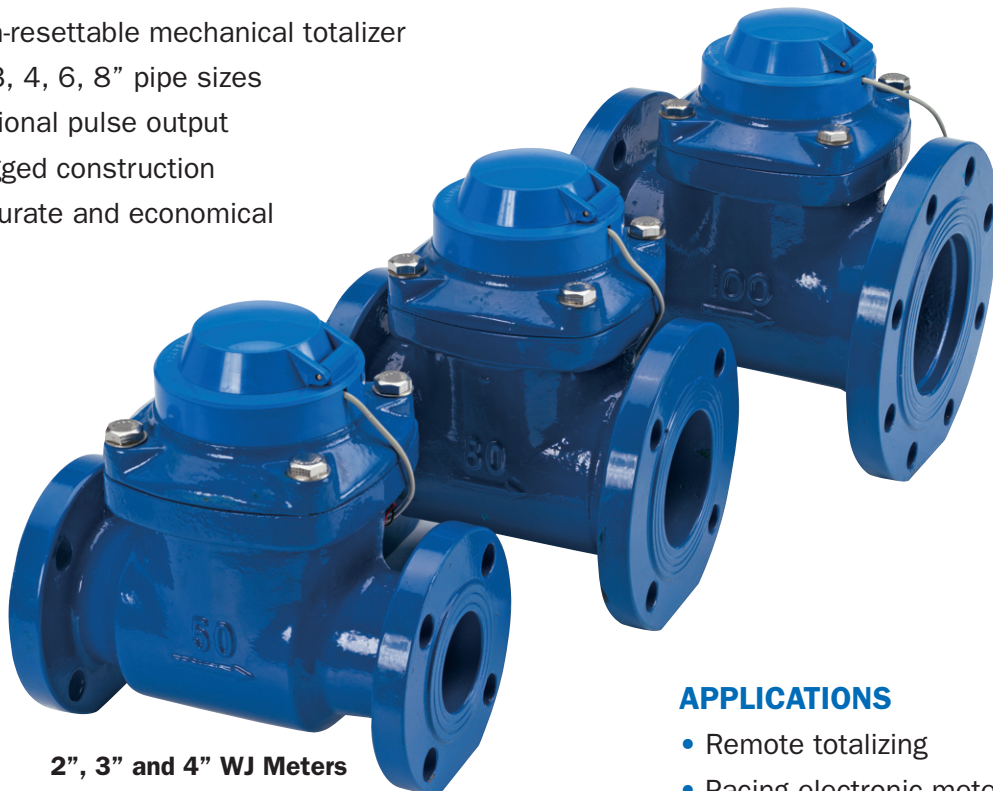




### FEATURES

- Non-resettable mechanical totalizer
- 2, 3, 4, 6, 8" pipe sizes
- Optional pulse output
- Rugged construction
- Accurate and economical



2", 3" and 4" WJ Meters

### APPLICATIONS

- Remote totalizing
- Pacing electronic metering pumps
- Cooling water monitoring
- Industrial fluid control
- Water/Wastewater treatment

### GENERAL INFORMATION

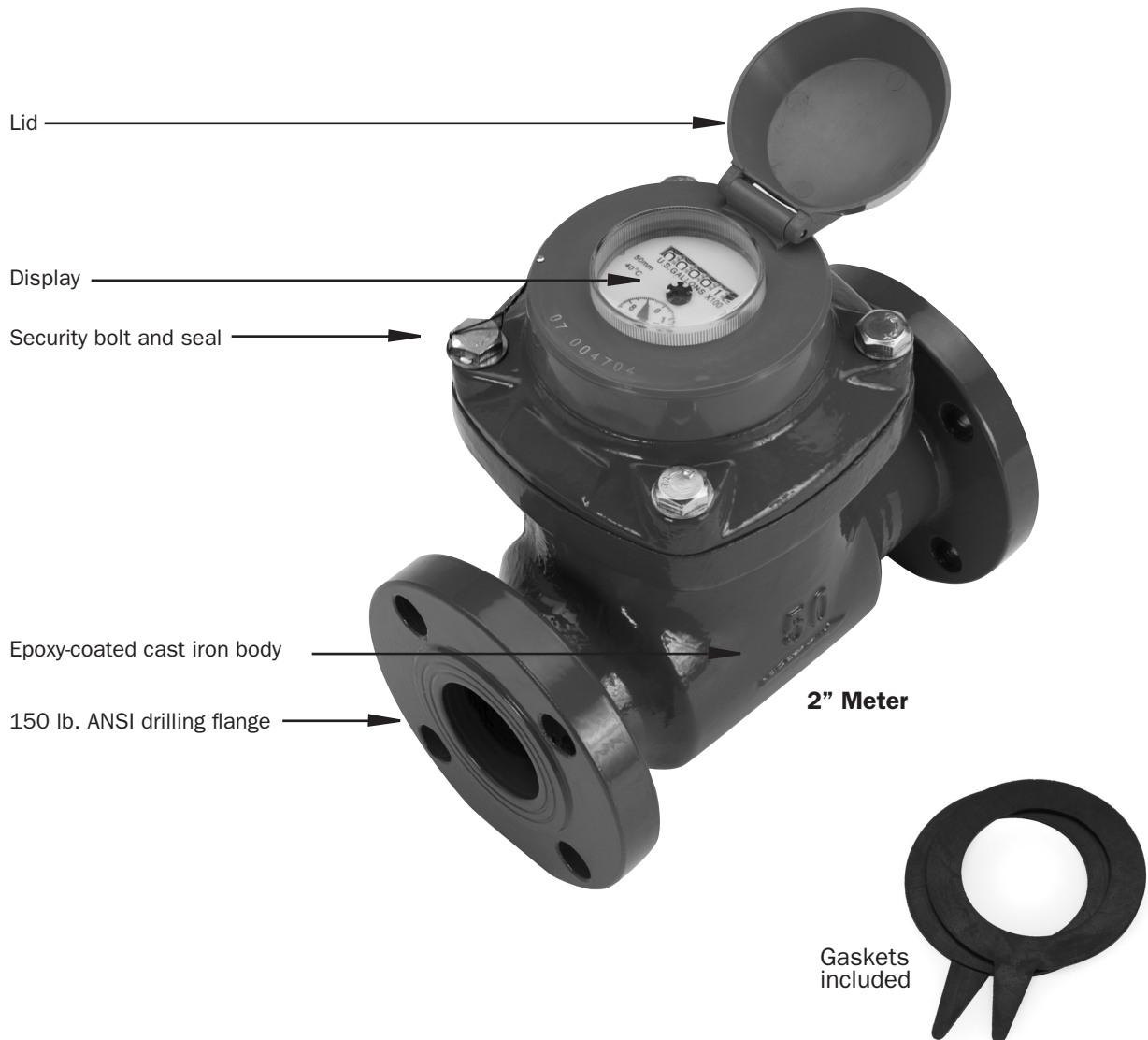
**WJ-Series** turbine meters are dry-register mechanical totalizers that offer accurate, economical reading of high flows with low pressure loss. The horizontal-axis turbine drives a vertical shaft, which is magnetically coupled to the sealed register.

In addition to mechanical totalizing, registers can be equipped with magnetic pulse reed sensors well suited for remote totalizing, pacing of electronic metering pumps, and water treatment applications.

Bodies are manufactured of tough cast iron and epoxy-coated for protection. Tungsten steel shafts and jewel bearings further enhance the durability of these meters. Simple removal of the top flange brings out all parts for inspection, repair, or replacement. The meter has a tamper-evident seal to call attention to unauthorized access.

Compatible Seametrics controls include the PT35 pulse timer, the PD10 pulse divider, and the PS40 pulse splitter for running multiple pulse-responsive devices (e.g. pumps, counter timers and remote totalizers) with a single WJ meter.

### FEATURES



### SPECIFICATIONS\*

<b>Materials</b>	<b>Meter Body</b>	Cast iron, epoxy coating
	<b>Register Plate</b>	ABS plastic
	<b>Drive Magnet</b>	Alnico
	<b>Turbine</b>	Plastic
	<b>Turbine Shafts</b>	Tungsten steel
	<b>Bearings</b>	Jewel
<b>Flanges</b>		150 lb. ANSI drilling
<b>Maximum Pressure</b>		200 psi (14 bar)
<b>Maximum Temperature</b>		105° F (40° C)
<b>Accuracy*</b>	<b>Above Transition</b>	+/-2% of reading
	<b>Below Transition</b>	+/-5% of reading
<b>Reed Switch</b>		100 mA @ 24 Vac/dc

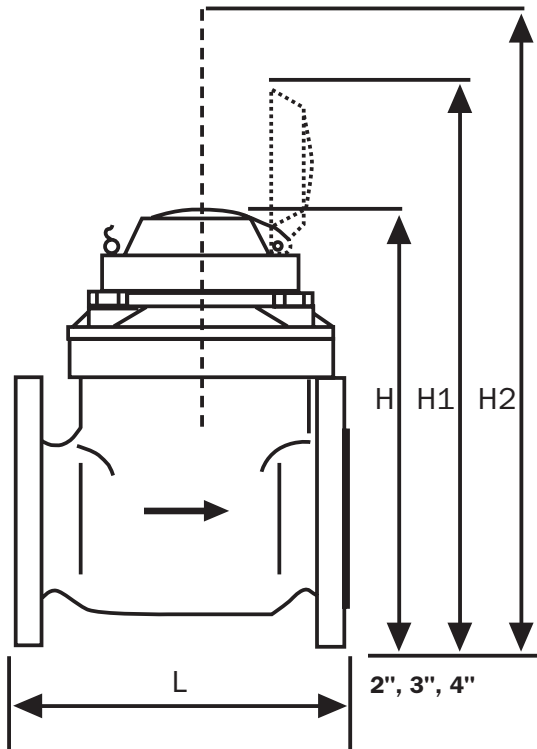
### FLOW RANGE (GPM)

	2"	3"	4"	6"	8"
<b>Minimum</b>	2	5.3	8	20	33
<b>Max. Continuous</b>	132	352	528	1320	2200
<b>Max. Intermittent</b>	165	440	660	1650	2750
<b>Transition*</b>	16	24	40	80	140

\*The flow rate at which accuracy changes from +/-2% of reading (above Transition) to +/-5% of reading (below Transition).

\*Specifications subject to change.  
Please consult our website for current data ([www.seametrics.com](http://www.seametrics.com)).

## DIMENSIONS

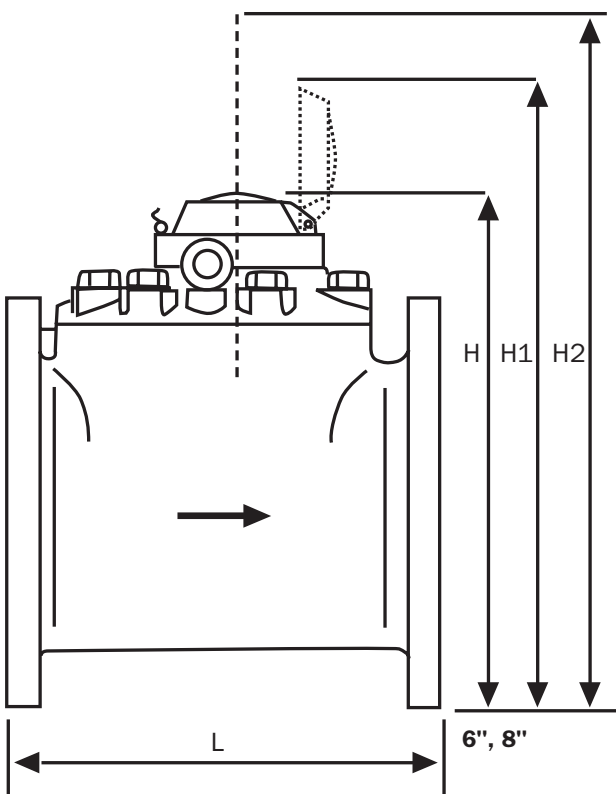


### 2", 3", 4" Dimensions

	2"	3"	4"
<b>L</b>	9.625"	8.86"	9.84"
<b>H</b>	10.08"	10.87"	11.26"
<b>H1</b>	12.91"	13.70"	14.09"
<b>H2</b>	15.75"	15.75"	15.75"
<b>Wt.</b>	31 lbs.	45 lbs.	47 lbs.

**H1** = Lid clearance for reading display

**H2** = Head clearance for replacing turbine insert

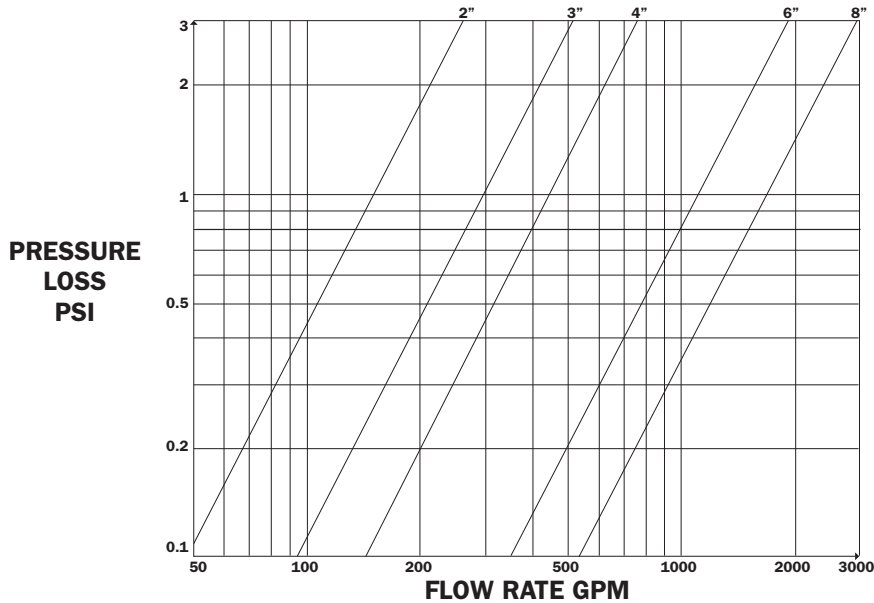


### 6", 8" Dimensions

	6"	8"
<b>L</b>	11.81"	13.78"
<b>H</b>	13.60"	14.78"
<b>H1</b>	16.44"	17.62"
<b>H2</b>	19.68"	19.68"
<b>Wt.</b>	95 lbs.	131 lbs.

**H1** = Lid clearance for reading display

**H2** = Head clearance for replacing turbine insert



## HOW TO ORDER

MODEL	SIZE	OPTIONS	PULSE RATE
WJ	2" = -200 3" = -300 4" = -400 6" = -600 8" = -800	Pulse Output/Reed Switch = -17 (Select pulse rate at right)	(Select with Option -17 Only) <b>Meter Size</b> <b>Pulse Rate</b> 2"                      10 Gal/Pulse = <b>10 G</b> 2"/3"/4"/6"        100 Gal/Pulse = <b>100 G</b> 3"/4"/6"/8"        1000 Gal/Pulse = <b>1,000 G</b> 8"                      10,000 Gal/Pulse = <b>10,000 G</b>
WJ			

---

**ACCESSORIES**  
Pulse Timer = **PT35**  
Pulse Divider = **PD10**  
Pulse Splitter = **PS40**

## CONTACT YOUR SUPPLIER