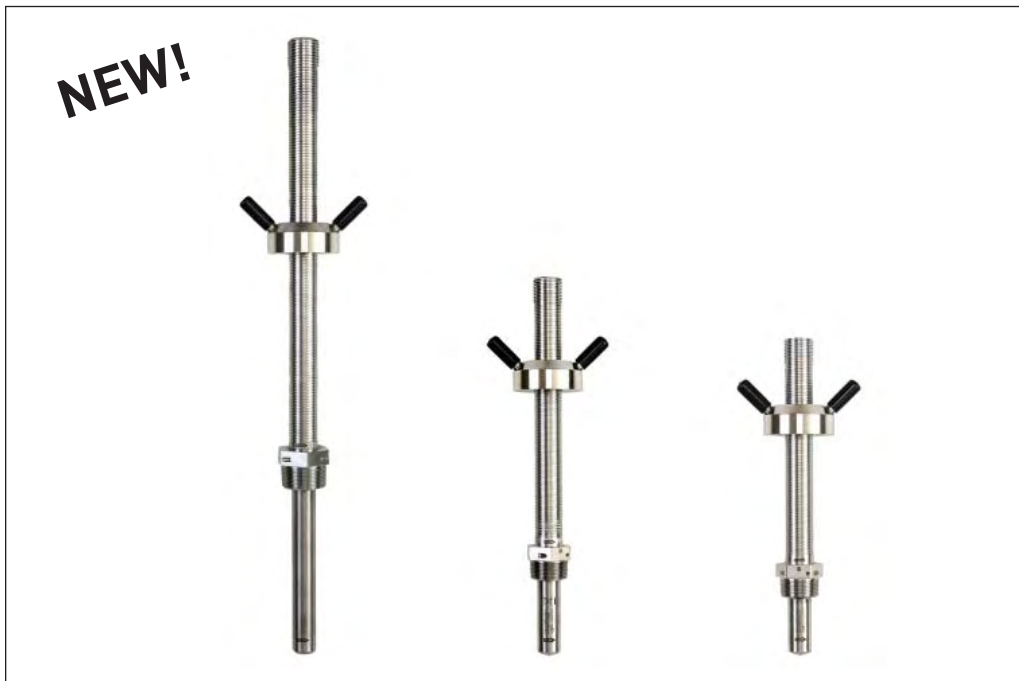


# Signet 2552 Metal Magmeter Flow Sensor



## Features

- **NEW**  
Now capable of hot-tap up to DN2550 (102 in.)
- Award winning hot-tap magnetic flow sensor
- Patented Magmeter Technology\*
- Wide flow range 0.05 to 10 m/s (0.15 to 33 ft/s)
- Reliable operation in harsh environments
- Repeatable:  $\pm 0.5\%$  of reading @ 25°C
- Three output options:  
4 to 20 mA, Frequency, Digital (S<sup>3</sup>L)
- ISO or NPT Threads

## Description

The Signet 2552 Metal Magmeter from Georg Fischer features all-stainless steel construction. The PVDF nosepiece and FPM O-rings are the only other wetted materials. The 2552 installs quickly into standard 1¼ in. or 1½ in. pipe outlets, and is adjustable to fit pipes from DN50 to DN2550 (2 to 102 inches). Three sensor lengths allow maximum flexibility to accommodate a variety of hardware configurations, including ball valves for hot-tap installations.

When equipped with the frequency output, the 2552 is compatible with any Signet flow instrument, while the S<sup>3</sup>L Digital output

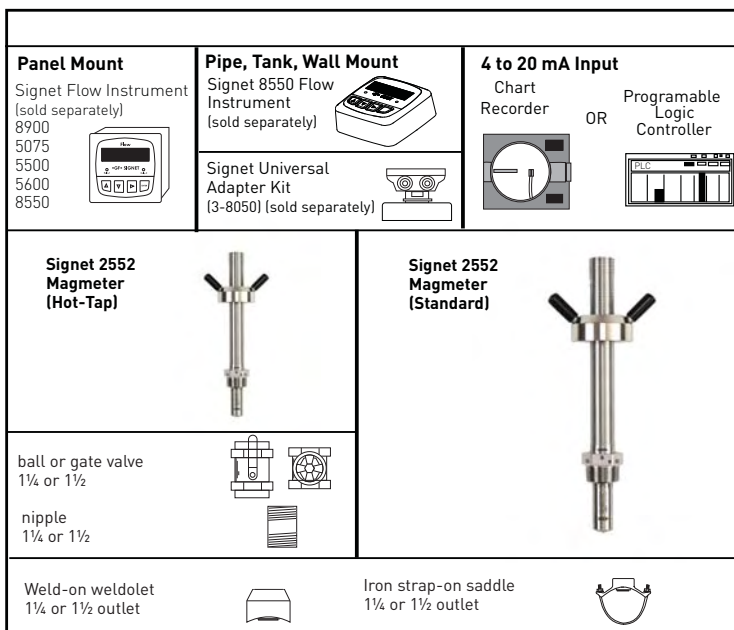
enables multi-channel compatibility with the Signet 8900 Multi-Parameter Flow Controller. Select the blind 4-20 mA current output to interface directly with dataloggers, PLCs or telemetry systems. Key features include Empty Pipe Detection, LED-assisted troubleshooting, and Bi-Directional span capability (in 4-20 mA models).

The Signet 3-0250 USB to Digital (S<sup>3</sup>L) Configuration/Diagnostic Tool is available to customize every performance feature in the 2552 so it can be adapted to the user's application requirements.

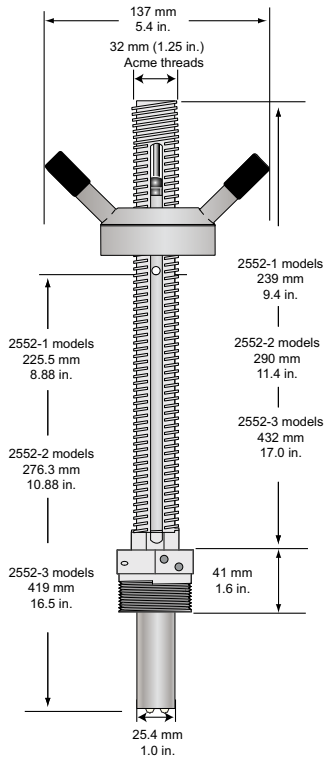
## Applications

- Municipal Water Distribution
- Process and Coolant Flow
- Chemical Processing
- Waste Water
- Mining Applications
- Water Process Flow

## System Overview



## Dimensions



## Specifications

### Performance

Pipe Size Range:  
DN50 to DN2550 (2 in. to 102 in.)  
Flow Range

- Minimum: 0.05 m/s (0.15 ft/s)
- Maximum: 10 m/s (33 ft/s) for pipes to DN 1200 (48 in.)  
3 m/s (10 ft./s) for pipes over DN 1200 (48 in.)

Linearity:  $\pm(1\% \text{ reading} + 0.01 \text{ m/s})$   
 $\pm(1\% \text{ reading} + 0.033 \text{ ft/s})$

Repeatability:  $\pm 0.5\%$  of reading @ 25°C

Accuracy:  $\pm 2\%$  of measured value (in reference conditions where the fluid is water at ambient temperature, the sensor is inserted at the correct depth and there is a fully developed flow profile which is in compliance with ISO 7145-1982 (BS 1042 section 2.2))

Minimum Conductivity: 20  $\mu\text{S/cm}$

### Wetted Materials:

- 316L Stainless Steel body and electrodes
- PVDF Insulator
- O-rings: FPM (standard)
- Cable: 4-cond + shield, PVC jacket (Fixed cable models) or Water-resistant rubber cable assembly with Turck® NEMA 6P connector

### Power Requirements

- 4 to 20 mA:  
21.6 to 26.4 VDC, 22.1 mA maximum
- Frequency:  
5 to 26.4 VDC, 15 mA maximum
- Digital (S<sup>3</sup>L):  
5 to 6.5 VDC, 15 mA maximum
- Reverse polarity and short circuit protected

### Cable Options

- Fixed 7.6 m (25ft) cable
- Detachable water tight sensor cable with Turck® connector sold separately, two lengths: 4m (13ft) or 6m (19.5 ft)

### Electrical

Current Output (4 to 20 mA)

- Programmable and reversible
- Loop Accuracy:  
32  $\mu\text{A}$  max. error (@ 25°C @ 24 VDC)
- Temp. Drift:  $\pm 1 \mu\text{A}$  per °C max.
- Power supply rejection:  $\pm 1 \mu\text{A}$  per V
- Isolation: Low voltage < 48 VAC/DC from electrodes and auxiliary power
- Maximum cable: 300 m (1000 ft.)
- Max. Loop Resistance: 300  $\Omega$
- Error condition: 22.1 mA

### Electrical (continued)

Frequency Output:

- Compatible with Signet 5075, 5500, 5600, 8550 and 8900
- Max. Pull-up Voltage: 30 VDC
- Short Circuit Protected:  
 $\leq 30 \text{ V} @ 0\Omega$  pull-up for one hour
- Reverse Polarity Protected to -40 V for 1 hour
- Overvoltage Protected to +40 V for 1 hour
- Max. Current Sink:  
50 mA, current limited
- Maximum cable: 300 m (1000 ft.)

Digital (S<sup>3</sup>L) Output:

- Compatible with Signet 8900
- Serial ASCII, TTL level 9600 bps
- Maximum cable: Application dependent (See 8900 manual)

### Max. Temperature/Pressure Rating

Storage Temperature:

-15°C to 70°C (5°F to 158°F)  
in non-icing conditions

Operating Temperature

- Ambient:  
-15°C to 70°C (5°F to 158°F)  
in non-icing conditions
- Media:  
-15°C to 85°C (5°F to 185°F)

Maximum Operating Pressure

20.7 bar @ 25°C (300 psi @ 77°F)

### Hot-Tap Installation Requirements

- Maximum Installation Pressure:  
20.7 bar (300 psi)
- Maximum Installation Temp.:  
40°C (104°F)

Do not use hot-tap installation where temperatures will exceed 40°C or if hazardous liquids are present.

### Standards and Approvals

- CE
- U.S. Patent No.: 7,055,396 B1
- NEMA 4 (IP65) (fixed cable models)
- NEMA 6P (IP68) (Submersible cable models only)  
Signet recommends maximum 3 m. (10 ft.) submersion depth for maximum 10 days continuous submersion.
- EN 61326: Immunity and Emissions for Control Equipment
- Manufactured under ISO 9001:2000 for Quality and ISO 14001: 2004 for Environmental Management

# Sensor Selection Guide

The 2552 Magmeter can be installed into a variety of pipe sizes. Follow the steps below to ensure that you choose the right sensor for your application.

## Step 1: Determine how the sensor will be installed

### A. For standard (non Hot-Tap) installations:

The height of the weldolet (threadolet) and pipe adapter(s) should be determined before the sensor is purchased.

- For retrofit installations, the stack height, or "A" dimension (see Fig. 1), is the overall height from the top of the pipe to the highest point of the stack before the sensor is connected.
- For new installations, Signet recommends a weldolet (threadolet) and an adapter to accommodate the 1¼ in. (or 1½ in. for 2552-3) sensor process threads. The stack height, or "A" dimension (see Fig. 1), is the overall height from the top of the pipe to the highest point of the stack.

### B. For Hot-Tap installations:

The stack height of the ball valve, nipple weldolet (threadolet) and pipe adapters should be determined before the sensor is purchased.

- For retrofit installations, the ball valve must be at least a 1¼ in. (or 1½ in. for 2552-3) full port valve. The stack height, or "A" dimension (see Fig. 2), is the overall height from the top of the pipe to the top of the ball valve, or the top of the highest point of the stack before the sensor is connected.
- For new installations, Signet recommends a 1¼ in. or 1½ in. full port ball valve, a short nipple and a weldolet (threadolet). The stack height or "A" dimension (see Fig. 2) is the overall height from the top of the pipe to the top of the ball valve.

## Step 2: Determine how the sensor will be installed

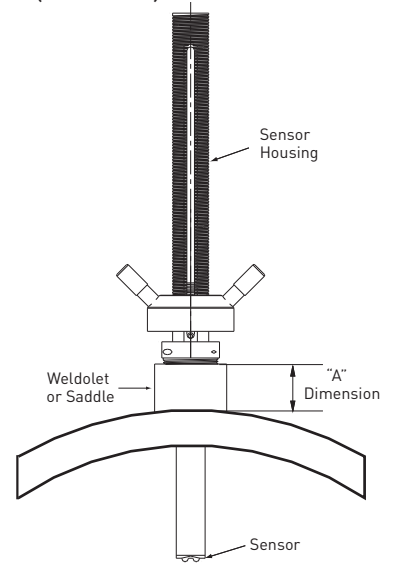
Once the "A" dimension is determined, go to the sensor selection table and find your "A" dimension on the left column. Next, find the appropriate pipe size at the top of the chart. To determine the correct sensor size locate where the pipe size column meets the max "A" dimension row.

		Pipe Size																												
		DN	50	65	80 to 90	100	125	150 to 200	250	300 to 350	400	450	500	550	600	650 to 700	750 to 800	850	900 to 950	1000 to 1100	1200	1400	1500	1700	1800	2000	2100	2550		
Max. "A" Dim	mm	inches	1	1	1	1	1	1	1	1	1	1	1	1	1	1	1	1	1	1	1	1	1	1	1	1	1	1	1	
	50.8	2	1	1	1	1	1	1	1	1	1	1	1	1	1	1	1	1	1	1	1	1	1	1	1	1	1	1		
	63.5	2.5	1	1	1	1	1	1	1	1	1	1	1	1	1	1	1	1	1	1	1	1	1	1	1	1	1	1	1	
	76.2	3	1	1	1	1	1	1	1	1	1	1	1	1	1	1	1	1	1	1	1	1	1	1	1	1	1	1	1	
	88.9	3.5	1	1	1	1	1	1	1	1	1	1	1	1	1	1	1	1	1	1	1	1	1	1	1	1	1	1	1	
	101.6	4	1	1	1	1	1	1	1	1	1	1	1	1	1	1	1	1	1	1	1	1	1	1	1	1	1	1	1	
	114.3	4.5	1	1	1	1	1	1	1	1	1	1	1	1	1	1	1	1	1	1	1	1	1	1	1	1	1	1	1	
	127	5	1	1	1	1	1	1	1	1	1	1	1	1	1	1	1	1	1	1	1	1	1	1	1	1	1	1	1	1
	139.7	5.5	1	1	1	1	1	1	1	1	1	1	1	1	1	1	1	1	1	1	1	1	1	1	1	1	1	1	1	1
	152.4	6	1	1	1	1	1	1	1	1	1	1	1	1	1	1	1	1	1	1	1	1	1	1	1	1	1	1	1	1
	165.1	6.5	1	1	1	1	1	1	1	1	1	1	1	1	1	1	1	1	1	1	1	1	1	1	1	1	1	1	1	1
	177.8	7	1	1	1	1	1	1	1	1	1	1	1	1	1	1	1	1	1	1	1	1	1	1	1	1	1	1	1	1
	190.5	7.5	2	2	2	2	2	2	2	2	2	2	2	2	2	2	2	2	2	2	2	2	2	2	2	2	2	2	2	2
	228.6	9	2	2	2	2	2	2	2	2	2	2	2	2	2	2	2	2	2	2	2	2	2	2	2	2	2	2	2	2
	241.3	9.5	3	3	3	3	3	3	3	3	3	3	3	3	3	3	3	3	3	3	3	3	3	3	3	3	3	3	3	3
	254	10	3	3	3	3	3	3	3	3	3	3	3	3	3	3	3	3	3	3	3	3	3	3	3	3	3	3	3	3
	266.7	10.5	3	3	3	3	3	3	3	3	3	3	3	3	3	3	3	3	3	3	3	3	3	3	3	3	3	3	3	3
	279.4	11	3	3	3	3	3	3	3	3	3	3	3	3	3	3	3	3	3	3	3	3	3	3	3	3	3	3	3	3
	292.1	11.5	3	3	3	3	3	3	3	3	3	3	3	3	3	3	3	3	3	3	3	3	3	3	3	3	3	3	3	3
	304.8	12	3	3	3	3	3	3	3	3	3	3	3	3	3	3	3	3	3	3	3	3	3	3	3	3	3	3	3	3
317.5	12.5	3	3	3	3	3	3	3	3	3	3	3	3	3	3	3	3	3	3	3	3	3	3	3	3	3	3	3	3	
330.2	13	3	3	3	3	3	3	3	3	3	3	3	3	3	3	3	3	3	3	3	3	3	3	3	3	3	3	3	3	
342.9	13.5	3	3	3	3	3	3	3	3	3	3	3	3	3	3	3	3	3	3	3	3	3	3	3	3	3	3	3	3	
355.6	14	3	3	3	3	3	3	3	3	3	3	3	3	3	3	3	3	3	3	3	3	3	3	3	3	3	3	3	3	
375.9	14.8	3	3	3	3	3	3	3	3	3	3	3	3	3	3	3	3	3	3	3	3	3	3	3	3	3	3	3	3	
381	15																													

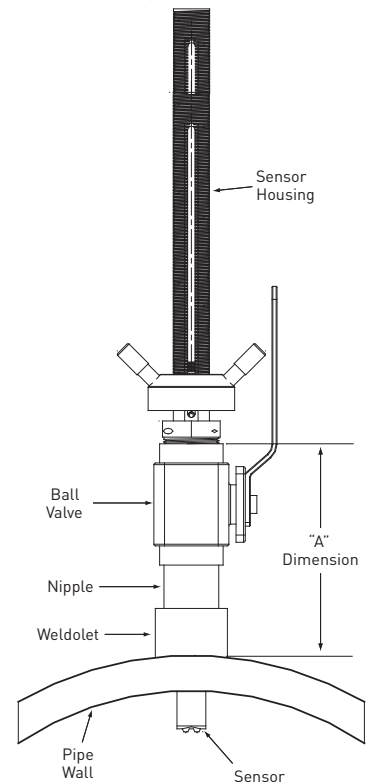
This chart is based on the thickest commonly available pipe.

## Step 3: Refer to Ordering Information to select corresponding part numbers

**Fig. 1**  
Standard installation with "A" dimension using a weldolet (threadolet)



**Fig. 2**  
Hot-Tap installation with "A" dimension using a ball valve, short nipple and weldolet (threadolet)



Legend:

- Use 3-2552-1, max. insertion = 185 mm (7.3 in.)
- Use 3-2552-2, max. insertion = 236 mm (9.3 in.)
- Use 3-2552-3 max. insertion = 368 mm (14.8 in)

## Model 2552

### Ordering Notes:

- 1) Sensor insertion depth is the distance from the bottom of the sensor housing to the tip of the sensor.
- 2) Hot-Tap installations require a 1¼ in. or 1½ in. ball valve.
- 3) See Sensor Selection Guide on previous page to determine the sensor length required.

#### Application Tips:

- Minimum process liquid conductivity requirement is 20µS/cm.
- 1½ inch and 2 inch (2552-1 and 2552-2 only) retrofit adapters are available for replacement installations of Signet 2550 and 2540 sensors.

## Ordering Information

Model 2552 Metal Magmeter Ordering Matrix					
3-2552	Mounting Depth Options - Choose One*				
	-1	Sensor insertion depth = 7.3 inches*			
	-2	Sensor insertion depth = 9.3 inches*			
	-3	Sensor insertion depth = 14.8 inches*			
	Process Connection Options - Choose One				
	1	1¼ inch NPT Process Connection Threads**			
	2	1¼ inch ISO Process Connection Threads**			
	3	1½ inch (2552-3 only) NPT Process Connection Threads**			
	4	1½ inch (2552-3 only) ISO Process Connection Threads**			
	Cable and Connector Options - Choose One				
	-A	Fixed Cable, 7.6m (25 ft); no connector			
	-B	Watertight sensor connector; cable sold separately			
	Output options - Choose One				
	-11	Frequency or Digital (S <sup>3</sup> L); for use with any Signet Flow Instrument or the 8900 Multi-Parameter Controller			
	-12	4 to 20 mA output			
↓					
3-2552	-1	1	-A	-12	Example Part Number

\* Customer must determine stack height (ball valve, nipple, weldolet, etc.). Refer to Sensor Selection on previous page to determine "A" dimension.

\*\* 1¼ inch process connection is the standard thread size on the 2552-1 and -2: For the 2552-3 the 1½ inch process connection is standard and the 1¼ inch is available as a special order.

Mfr. Part No.	Code	Mfr. Part No.	Code	Mfr. Part No.	Code
3-2552-11-A-11	<b>159 001 505</b>	3-2552-21-A-11	<b>159 001 513</b>	3-2552-33-A-11	<b>159 001 521</b>
3-2552-11-A-12	<b>159 001 506</b>	3-2552-21-A-12	<b>159 001 514</b>	3-2552-33-A-12	<b>159 001 525</b>
3-2552-11-B-11	<b>159 001 507</b>	3-2552-21-B-11	<b>159 001 515</b>	3-2552-33-B-11	<b>159 001 523</b>
3-2552-11-B-12	<b>159 001 508</b>	3-2552-21-B-12	<b>159 001 516</b>	3-2552-33-B-12	<b>159 001 527</b>
3-2552-12-A-11	<b>159 001 509</b>	3-2552-22-A-11	<b>159 001 517</b>	3-2552-34-A-11	<b>159 001 522</b>
3-2552-12-A-12	<b>159 001 510</b>	3-2552-22-A-12	<b>159 001 518</b>	3-2552-34-A-12	<b>159 001 526</b>
3-2552-12-B-11	<b>159 001 511</b>	3-2552-22-B-11	<b>159 001 519</b>	3-2552-34-B-11	<b>159 001 524</b>
3-2552-12-B-12	<b>159 001 512</b>	3-2552-22-B-12	<b>159 001 520</b>	3-2552-34-B-12	<b>159 001 528</b>

## Accessories and Replacement Parts

Mfr. Part No.	Code	Description
2120-1512	<b>159 001 425</b>	1½ x 1¼ inch NPT adapter for retrofitting 2540 installation to 2552 - 316 stainless steel
2120-2012	<b>159 001 426</b>	2 x 1¼ inch NPT adapter for retrofitting 2550 installation to 2552 - 316 stainless steel
3-2552.392	<b>159 001 530</b>	1¼ inch NPT full port stainless steel ball valve and nipple kit
3-2552.393	<b>159 001 531</b>	1¼ inch NPT full port brass ball valve & nipple kit
3-2552.394	<b>159 001 532</b>	1½ inch NPT conduit adapter, aluminum
4301-2125	<b>159 001 533</b>	1¼ inch NPT full port ball valve - brass
4301-3125	<b>159 001 387</b>	1¼ inch NPT full port ball valve - stainless steel
3-0250	<b>159 001 538</b>	USB to Digital (S <sup>3</sup> L) configuration/diagnostic tool
5541-4184	<b>159 001 388</b>	4-conductor, 22 AWG, water-tight connector, 4m (13 ft)
5541-4186	<b>159 001 389</b>	4-conductor, 22 AWG, water-tight connector, 6m (19.5 ft)
special order	<b>special order</b>	4-conductor, 22 AWG, water-tight connector, cable length in 25 ft increments
special order	<b>special order</b>	1¼ in. NPT or ISO Process Connection threads to replace 1½ in. NPT or ISO threads

### Georg Fischer Signet LLC

3401 Aerojet Avenue, El Monte, CA 91731-2882 U.S.A. • Tel. (626) 571-2770 • Fax (626) 573-2057 • www.gfsignet.com • e-mail: signet.ps@georgfischer.com  
 Specifications subject to change without notice. All rights reserved. All corporate names and trademarks stated herein are the property of their respective companies.