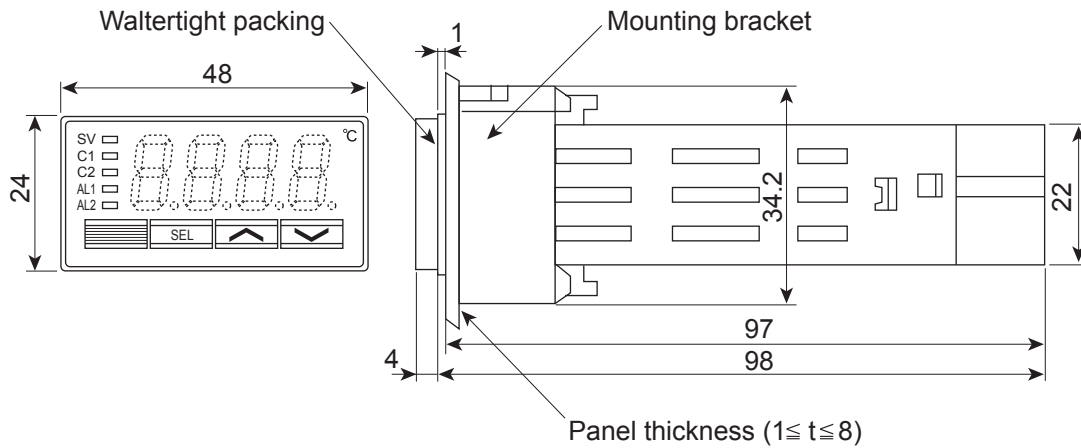


# 1 Installation/mounting

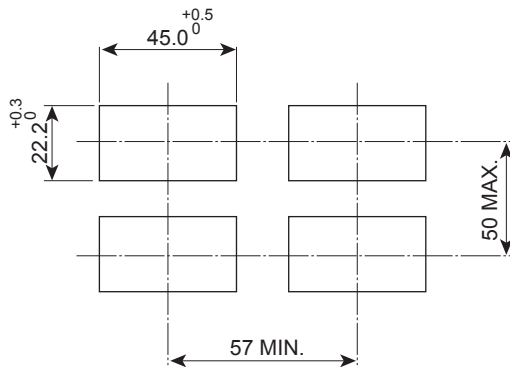
## Outline and Panel Cutout Dimensions (Standard type/ Waterproof type)

Outline dimensions (unit:mm)

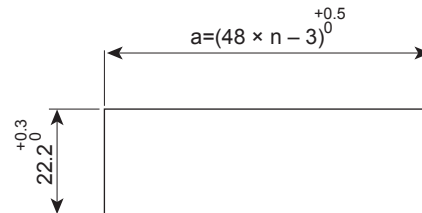


Panel cutout dimensions (unit:mm)

For separate mounting



For mounting close together (n controllers)

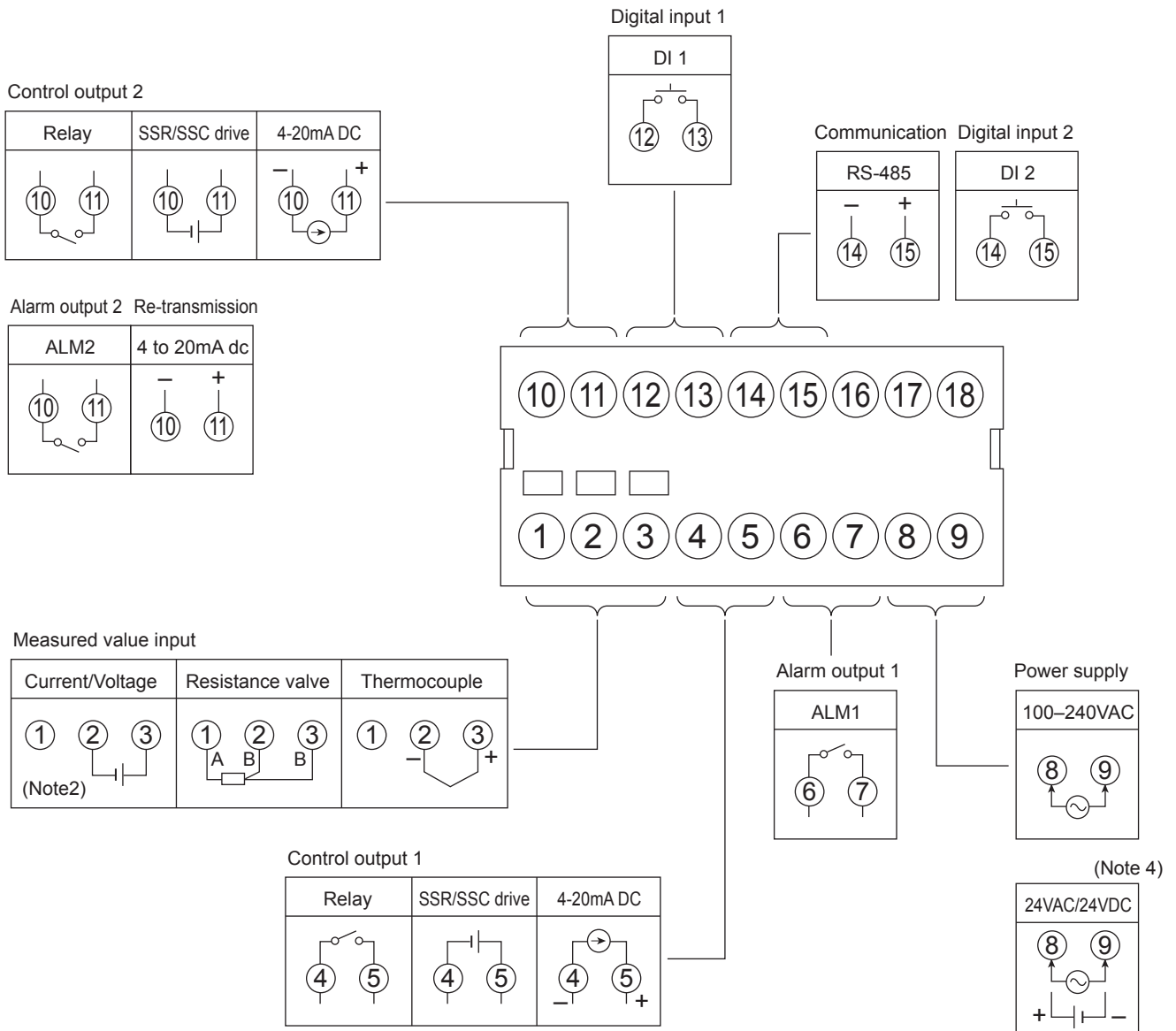


Number of units	2	3	4	5	6
a	93	141	189	237	285

Note: • Watertight feature is unavailable if mounted close together.  
• Maximum ambient temperature is 45°C if mounted close together.

## 2 Wiring

### Terminal Connection Diagram (100 to 240 VAC) or (24 VDC / 24 VAC)



Note1) Check the power supply voltage before installation.

Note2) Connect the I/V unit (250Ω resistor) (accessory) between the terminal ② and ③ in case of current input.

Note3) Tighten the terminal screw securely with fastening torque of 0.4N·m.

Note4) When the 10th digit of the code symbol is "C", "A", or "B", connect the power according to the connection diagram of 24VAC/24VDC power supply. Input of power of 30VAC/30VDC or more will damage the instrument.